

WELDING POSITIONER PARTS BREAKDOWN

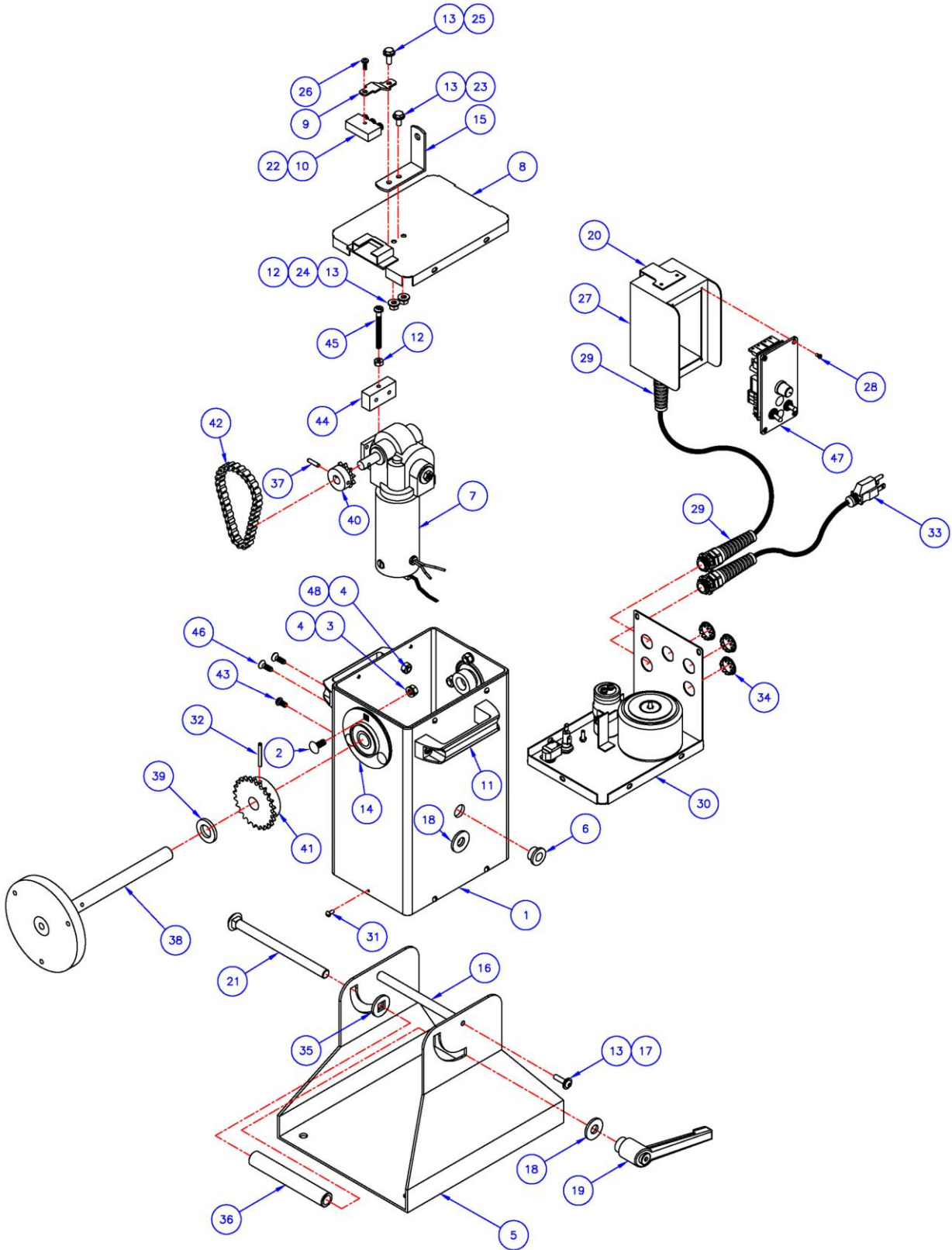
DRAWING GP-200

ITEM	PART No.	DESCRIPTION	QTY
1	GP-200-001	FRAME	1
2	GK-160-012	5/16"-18UNC x 5/8" CARRIAGE BOLT	6
3	GK-136-055	5/16"Ø LOCK WASHER	6
4	GK-109-052	5/16"-18UNC HEX NUT	10
5	GP-200-002	BASE	1
6	GK-118-077	FLANGED BRONZE BEARING	2
7	GP-200-011	POSITIONER MOTOR ASSEMBLY (200:1)	1
	GP-200-015	POSITIONER MOTOR ASSEMBLY (540:1)	
8	GP-200-003	TOP COVER	1
9	GP-150-023	GROUND STRAP	1
10	GP-200-009	GROUND BLOCK	1
11	GP-200-021	HANDLE	2
12	GK-109-050	1/4"-20UNC HEX NUT	3
13	GK-111-051	1/4"Ø FLAT WASHER	6
14	GP-200-039	FLANGETTE BEARING ASSEMBLY	2
15	GP-150-009	GROUND BRACKET	1
16	GP-200-010	PIVOT SHAFT	1
17	GK-112-126	1/4"-20UNC x 1" BUTTON HD CAP SCREW	2
18	GK-111-077	1/2"Ø WASHER	2
19	GK-153-007	1/2"-13UNC ADJ. FEMALE HAND LEVER	1
20	GP-200-017	REMOTE CLIP	2
21	GP-200-040	1/2"-13UNC x 7" CARRIAGE BOLT	1
22	GK-116-012	SPRING	3
23	GK-108-050	1/4"-20UNC x 5/8" HEX BOLT	1
24	GK-136-053	1/4"Ø LOCK WASHER	2
25	GK-108-059	1/4"-20UNC x 3/4" HEX BOLT	1
26	GK-112-116	#10-32 x 1/2" BRASS SCREW	1
27	GP-200-013	REMOTE ENCLOSURE	2
28	GK-141-014	#6-32UNC x 5/16" FLAT HEAD SCREW	4
29	GK-148-015	PIGTAIL STRAIN RELIEF	5
30	GP-200-018	POWER SUPPLY ASSEMBLY	1
31	GK-112-061	#8-32UNC x 3/8" RND. HD. SCREW	11
32	GK-117-029	3/16"Ø x 1-1/2" SPRING PIN	1
33	GK-171-032	POWER CORD	1
34	GK-155-002	7/8"Ø HOLE PLUG	3
35	GP-200-019	SQUARE HOLE WASHER	1
36	GP-200-012	SLEEVE	1
37	GK-117-038	3/16"Ø x 13/16" SPRING PIN	1
38	GP-200-014	SPINDLE	1
39	GP-200-041	SPINDLE SPACER	1
40	GP-200-007	10 TOOTH SPROCKET	1
41	GP-200-008	24 TOOTH SPROCKET	1
42	GP-200-020	DRIVE CHAIN	1
43	GK-112-115	1/4"-20UNC X 1/2" BUTTON HEAD CAP SCREW	4
44	GP-200-022	CHAIN TENSIONER	1
45	GK-122-051	1/4"-20UNC X 2.5" PAN HEAD SCREW	1
46	GK-105-055	1/4"-20UNC X 3/4" FLAT HEAD CAP SCREW	2
47	GSP-1000	GSP-1000 MOTOR CONTROL	1
48	GK-107-053	5/16"-18UNC x 3/4" SHCS	4

Specify model and serial numbers when ordering parts.

WELDING POSITIONER PARTS BREAKDOWN

DRAWING GP-200



WELDING GAS PURGE POSITIONER PARTS BREAKDOWN

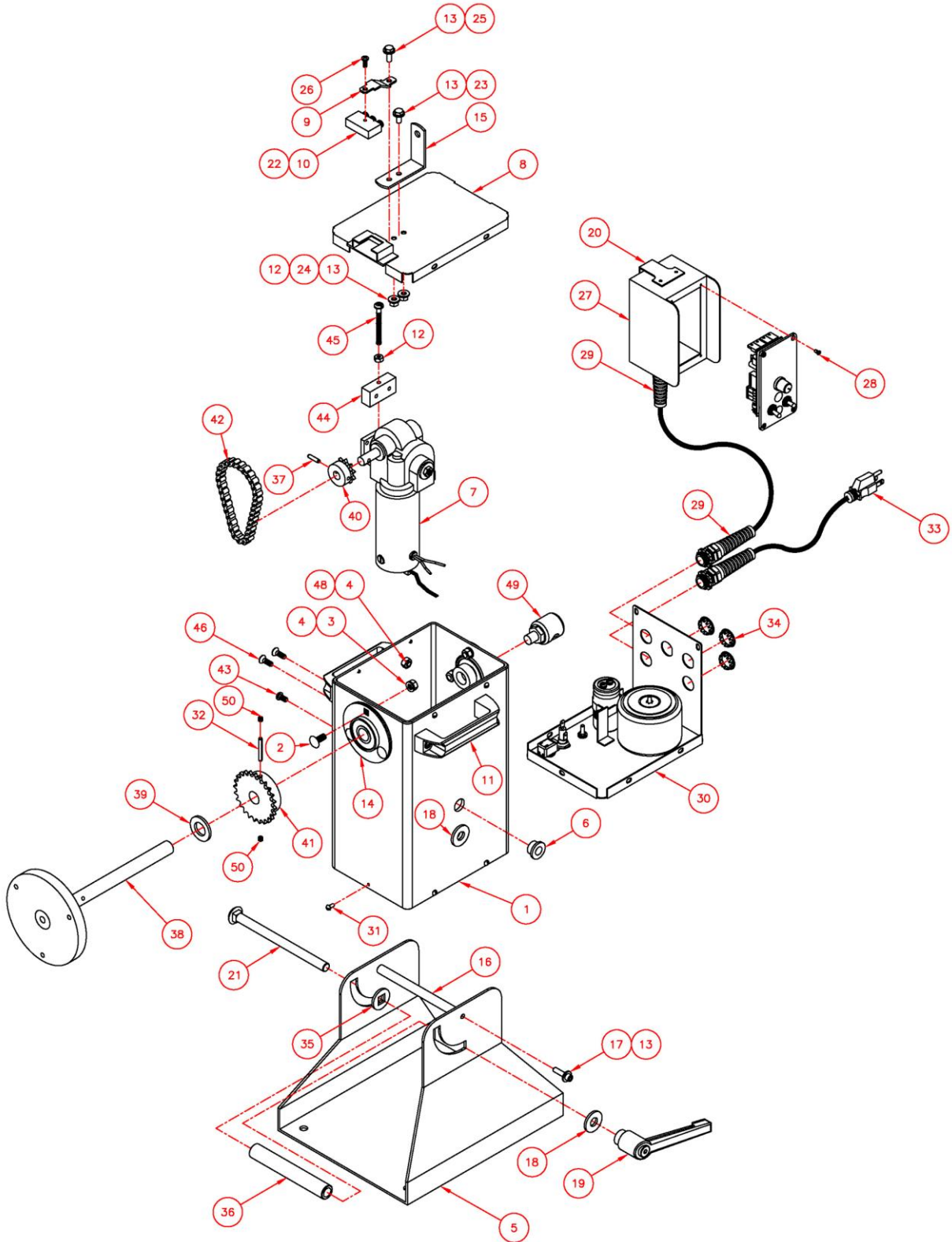
DRAWING GPP-200

ITEM	PART No.	DESCRIPTION	QTY
1	GP-200-001	FRAME	1
2	GK-160-012	5/16"-18UNC x 5/8" CARRIAGE BOLT	6
3	GK-136-055	5/16"Ø LOCK WASHER	6
4	GK-109-052	5/16"-18UNC HEX NUT	10
5	GP-200-002	BASE	1
6	GK-118-077	FLANGED BRONZE BEARING	2
7	GP-200-011	POSTIONER MOTOR ASSEMBLY (200:1)	1
	GP-200-015	POSTIONER MOTOR ASSEMBLY (540:1)	
8	GP-200-003	TOP COVER	1
9	GP-150-023	GROUND STRAP	1
10	GP-200-009	GROUND BLOCK	1
11	GP-200-021	HANDLE	2
12	GK-109-050	1/4"-20UNC HEX NUT	3
13	GK-111-083	1/4"Ø WASHER	6
14	GP-200-039	FLANGETTE BEARING ASSEMBLY	2
15	GP-150-009	GROUND BRACKET	1
16	GP-200-010	PIVOT SHAFT	1
17	GK-107-052	1/4"-20UNC x 1" SOCKET HEAD CAP SCREW	2
18	GK-111-061	1/2"Ø WASHER	2
19	GK-153-007	1/2"-13UNC ADJ. FEMALE HAND LEVER	1
20	GP-200-017	REMOTE CLIP	1
21	GP-200-040	1/2"-13UNC x 7" CARRIAGE BOLT	1
22	GK-116-012	SPRING	3
23	GK-108-050	1/4"-20UNC x 5/8" HEX BOLT	1
24	GK-136-053	1/4"Ø LOCK WASHER	2
25	GK-108-059	1/4"-20UNC x 3/4" HEX BOLT	1
26	GK-112-116	#10-32 x 1/2" BRASS SCREW	1
27	GP-200-013	REMOTE ENCLOSURE	1
28	GK-141-014	#6-32UNC x 5/16" FLAT HEAD SCREW	4
29	GK-148-015	PIGTAIL STRAIN RELIEF	5
30	GP-200-018	POWER SUPPLY ASSEMBLY	1
31	GK-112-061	#8-32UNC x 3/8" ROUND HEAD SCREW	11
32	GK-117-029	3/16" x 1-1/2" SPRING PIN	1
33	GK-171-032	POWER CORD	1
34	GK-155-002	7/8"Ø HOLE PLUG	3
35	GP-200-019	SQUARE HOLE WASHER	1
36	GP-200-012	SLEEVE	1
37	GK-117-038	3/16" x 13/16" SPRING PIN	1
38	GPP-200-014	GAS PURGE SPINDLE	1
39	GP-200-041	SPINDLE SPACER	1
40	GP-200-007	10 TOOTH SPROCKET	1
41	GPP-200-008	GAS PURGE 24 TOOTH SPROCKET	1
42	GP-200-020	DRIVE CHAIN	1
43	GK-112-115	1/4"-20UNC X 1/2" BUTTON HEAD CAP SCREW	4
44	GP-200-022	CHAIN TENSIONER	1
45	GK-122-051	1/4"-20UNC X 2.5" PAN HEAD SCREW	1
46	GK-105-055	1/4"-20UNC X 3/4" FLAT HEAD CAP SCREW	2
47	GSP-1000	GSP-1000 MOTOR CONTROL	1
48	GK-107-053	5/16"-18UNC x 3/4" SOCKET HEAD CAP SCREW	4
49	GP-150-025	ROTARY GAS COUPLING	1
50	GK-106-082	1/4"-28UNF X 1/4" LONG SET SCREW	2

Specify model and serial numbers when ordering parts.

WELDING GAS PURGE POSITIONER PARTS BREAKDOWN

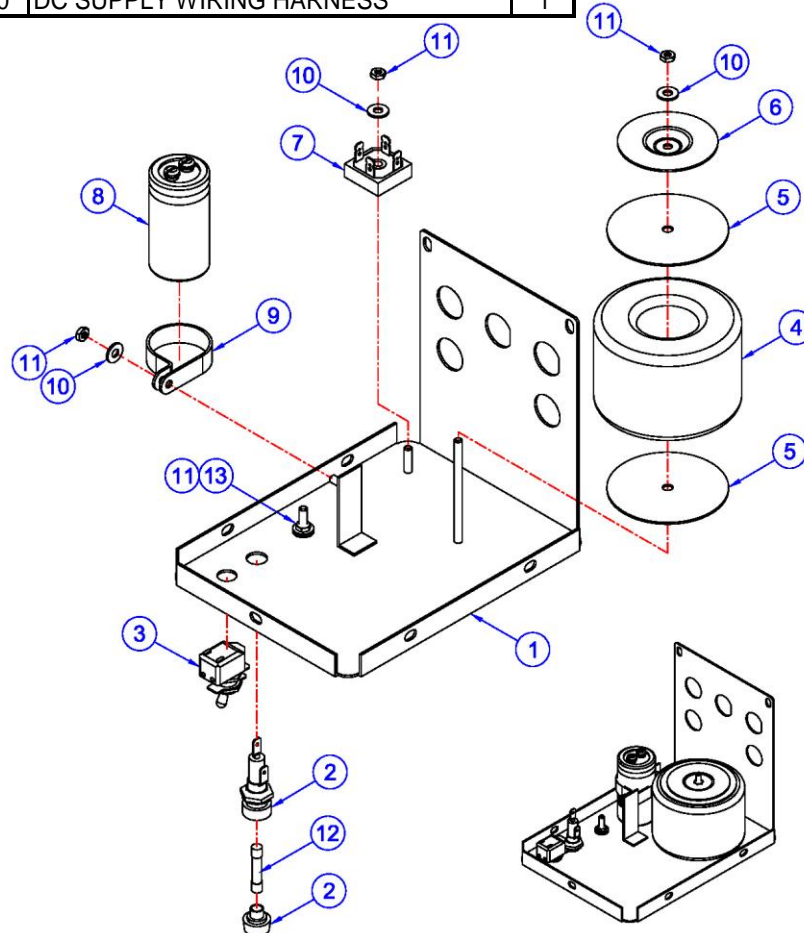
DRAWING GPP-200



POSITIONER POWER SUPPLY ASSEMBLY PARTS BREAKDOWN

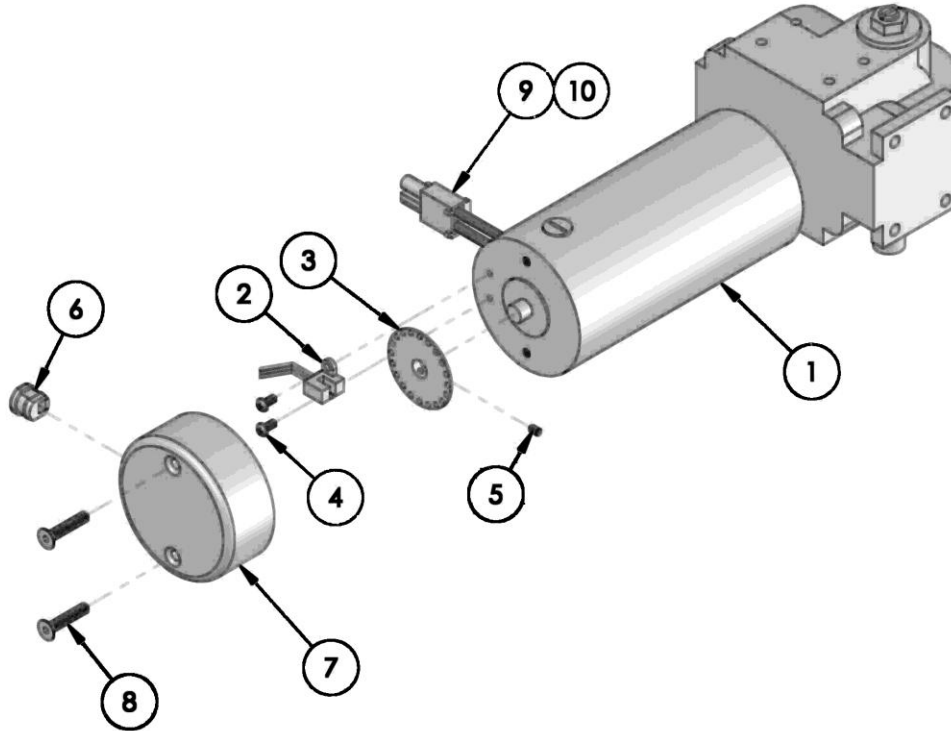
ITEM	PART No.	DESCRIPTION	QTY
1	GP-200-004	BOTTOM COVER	1
2	GK-165-134	FUSE HOLDER ASSEMBLY	1
3	GK-191-P-022	POWER ON/OFF SWITCH	1
	GK-191-P-050	ON/OFF NAME PLATE	1
4	GK-191-P-019-A	42V TRANSFORMER	1
	GK-191-P-019-B	115V TRANSFORMER	
	GK-191-P-019-C	230V TRANSFORMER	
5	GK-191-P-218	TRANSFORMER MTG. PAD	2
6	GK-191-P-105	TRANSFORMER MTG. PLATE	1
7	GK-191-P-020	BRIDGE	1
8	GK-191-P-062	CAPACITOR	1
9	GK-191-P-063	CAPACITOR CLAMP	1
10	GK-111-068	No. 10 WASHER	3
11	GK-135-057	No. 10-32UNF LOCK NUT	5
12	GK-165-098	5A SLOW BLOW FUSE (42V MODELS)	1
	GK-165-099	2.5A SLOW BLOW FUSE (115V MODELS)	
	GK-165-097	1.25A SLOW BLOW FUSE (230V MODELS)	
13	GK-129-012	No. 10 INTERNAL STAR WASHER	1
14	GK-191-P-103	DISCHARGE RES. WIRING HARNESS	1
15	GK-191-P-127	H.F. CAPACITOR WIRING HARNESS	1
16	GK-191-P-128	POWER INTERFACE HARNESS	1
17	GK-191-P-140	DC SUPPLY WIRING HARNESS	1

DRAWING GP-200-018



POSITIONER MOTOR ASSEMBLY PARTS BREAKDOWN

DRAWING GP-200-011 & GP-200-015

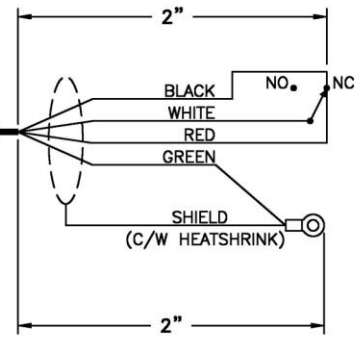
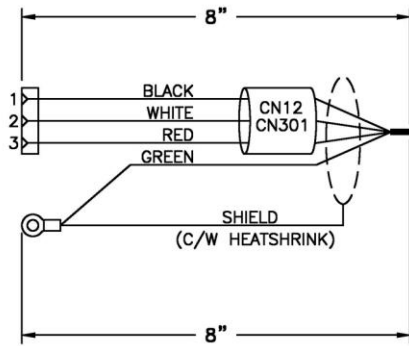
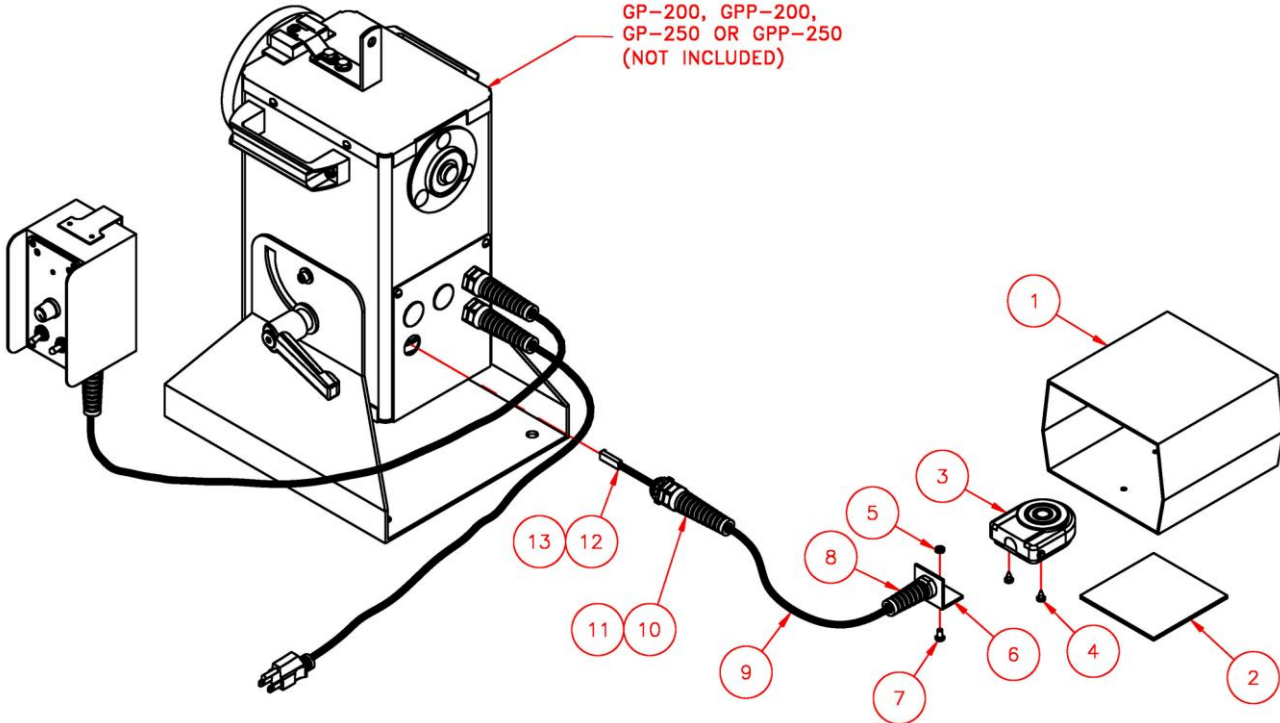


ITEM	PART NO.	DESCRIPTION	QTY
	GP-200-011	POSITIONER MOTOR ASSEMBLY (200:1)	
1	GP-200-131	24VDC GEARMOTOR 200:1	1
2	GK-191-P-035	ENCODER SENSOR, INCLUDING WIRING & CONNECTOR	1
3	GK-191-P-038	ENCODER DISC	1
4	GK-112-060	#4-40UNC x 1/4" ROUND HEAD SCREW	2
5	GK-106-063	#4-40UNC x 3/16" SET SCREW	3
6	GK-148-009	STRAIN RELIEF GLAND	1
7	GK-190-111	ENCODER COVER	1
8	GK-105-086	#8-32UNC x 7/8" FLAT HEAD SOCKET CAP SCREW	2
9	GK-156-003	2 CIRCUIT MALE CONNECTOR HOUSING	1
10	GK-156-016	FEMALE TERMINAL	2
	GP-200-015	POSITIONER MOTOR ASSEMBLY (540:1)	
1	GP-200-133	24VDC GEARMOTOR 540:1	1
2	GK-191-P-035	ENCODER SENSOR, INCLUDING WIRING & CONNECTOR	1
3	GK-191-P-038	ENCODER DISC	1
4	GK-112-060	#4-40UNC x 1/4" ROUND HEAD SCREW	2
5	GK-106-063	#4-40UNC x 3/16" SET SCREW	3
6	GK-148-009	STRAIN RELIEF GLAND	1
7	GK-190-111	ENCODER COVER	1
8	GK-105-086	#8-32UNC x 7/8" FLAT HEAD SOCKET CAP SCREW	2
9	GK-156-003	2 CIRCUIT MALE CONNECTOR HOUSING	1
10	GK-156-016	FEMALE TERMINAL	2

OPTIONAL RUN/STOP FOOTSWITCH PARTS BREAKDOWN

DRAWING GP-200-024

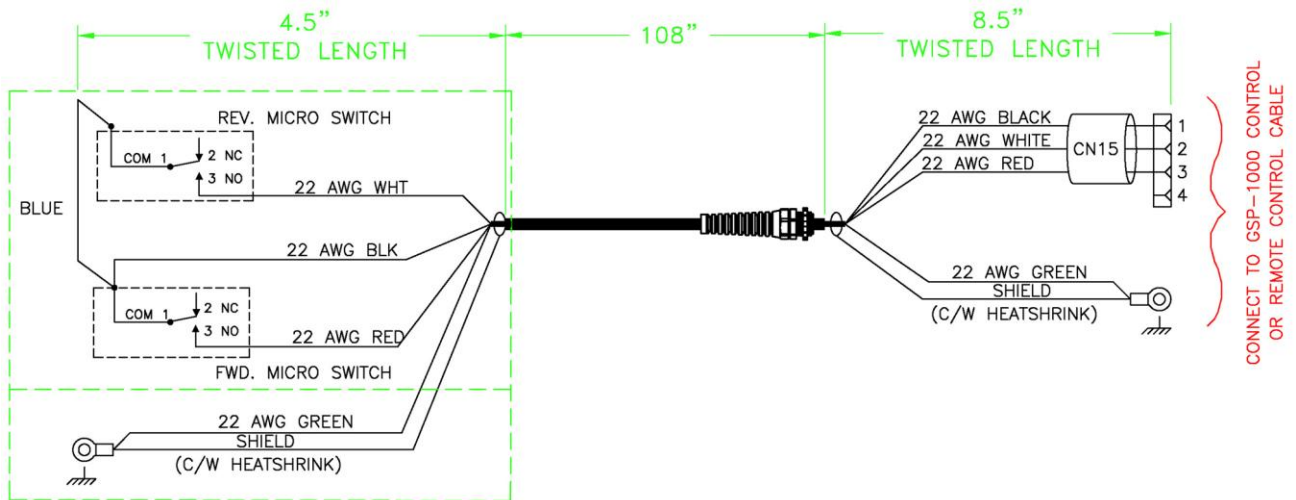
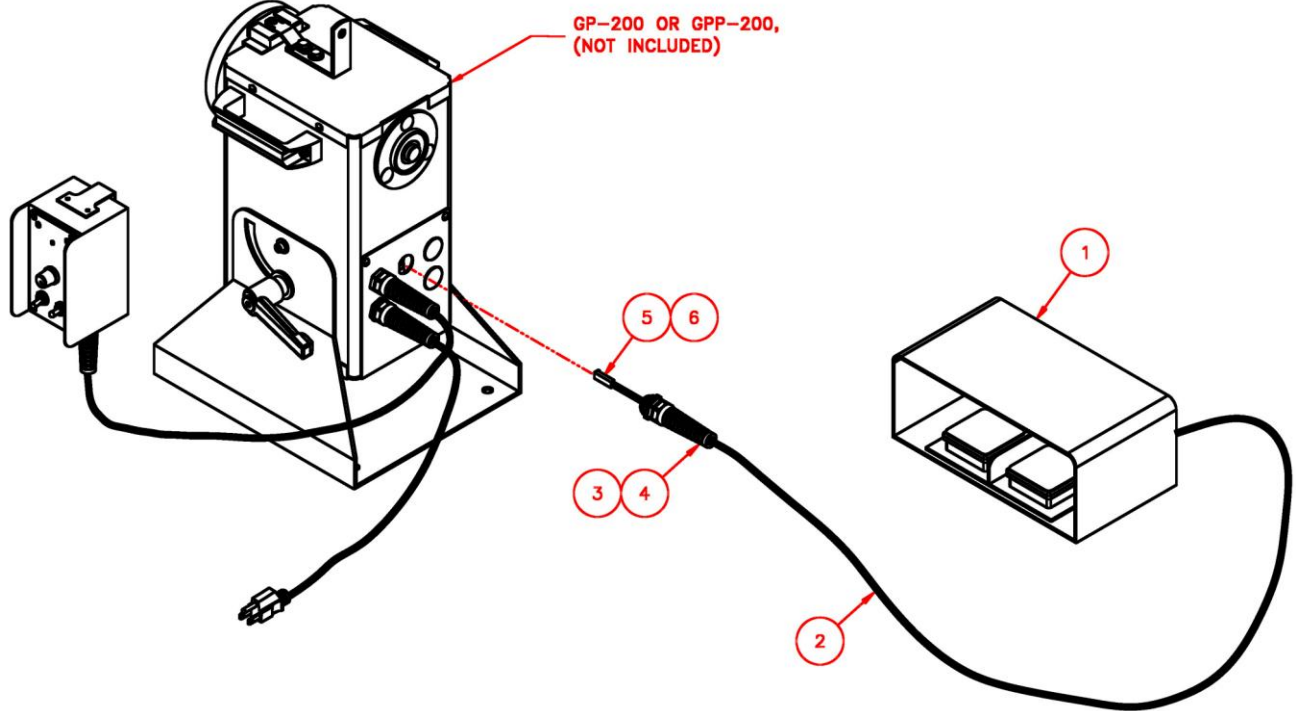
GP-200, GPP-200,
GP-250 OR GPP-250
(NOT INCLUDED)



ITEM	PART No.	DESCRIPTION	QTY
1	KR-179-113	FOOT SWITCH COVER	1
2	KR-179-115	NON-SLIP FOOT SWITCH PAD	1
3	KR-179-122	FOOT SWITCH	1
4	GK-125-055	#8-18 x 3/8" TAP SCREW	2
5	GK-135-057	#10-32UNF LOCK NUT	1
6	KR-190-112	CABLE STRAIN BRACKET	1
7	GK-112-065	#10-32UNF x 3/8" ROUND HEAD SCREW	1
8	GK-148-014	DD STRAIN RELIEF PIGTAIL	1
9	RM-111-110	4 CONDUCTOR SHIELDED CABLE	10'-10"
10	GK-148-017	STRAIN RELIEF LOCK NUT	1
11	GK-148-015	STRAIN RELIEF 7/8"Ø	1
12	GK-156-032	WIRE CONNECTOR 3 POSITION FEMALE	1
13	GK-156-017	WIRE CONNECTOR CRIMP TERMINAL	3
14	GK-156-008	#10 RING TERMINAL CRIMP	2

OPTIONAL FORWARD/STOP/REVERSE FOOTSWITCH PARTS BREAKDOWN

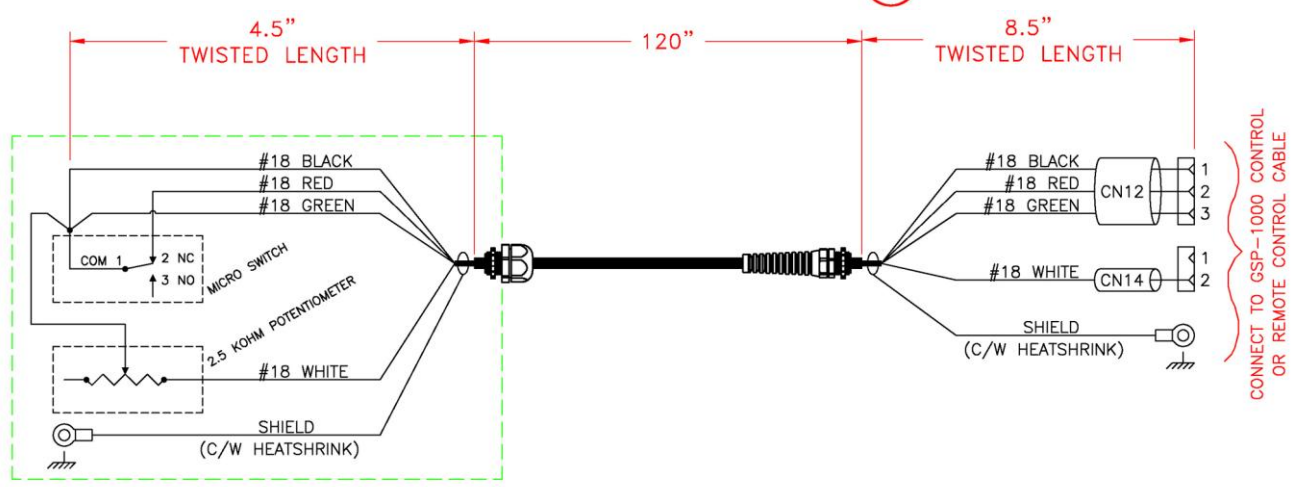
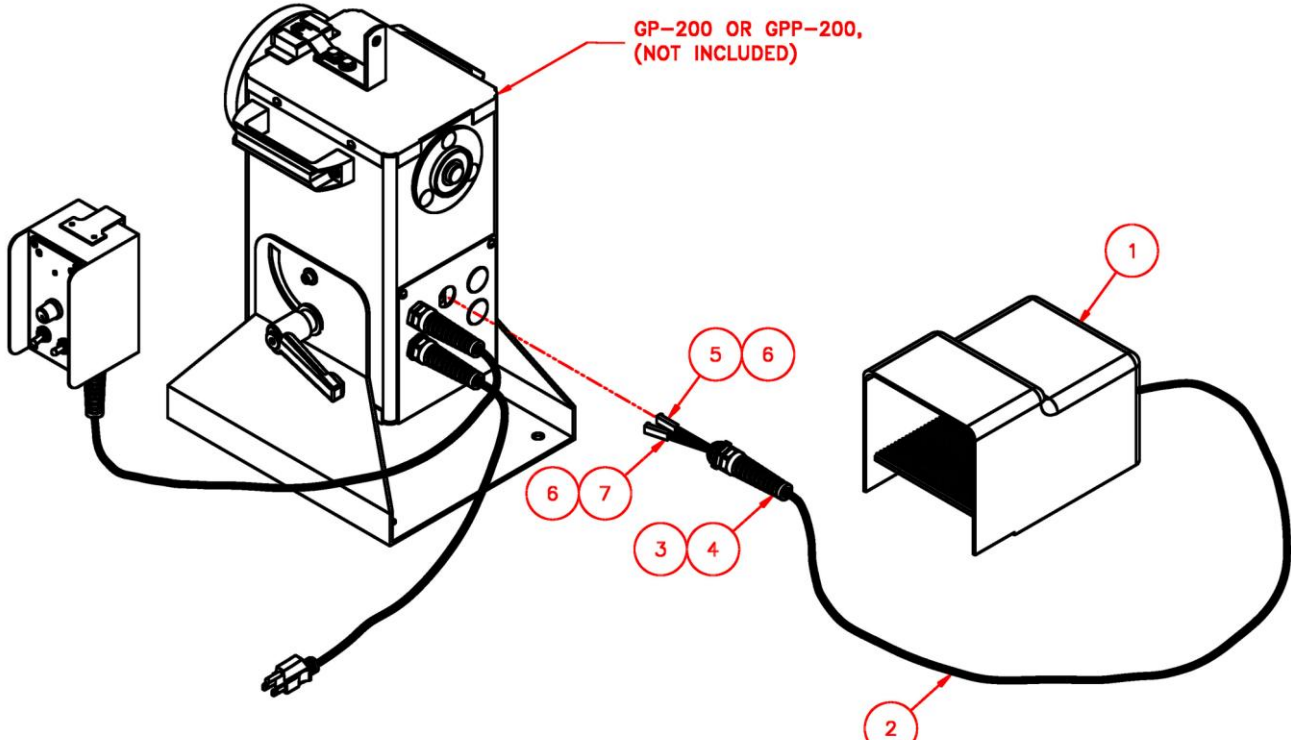
DRAWING GP-200-023



ITEM	PART No.	DESCRIPTION	QTY
1	GP-200-023-1	FWD/STOP/REV FOOTSWITCH	1
2	RM-111-110	4 CONDUCTOR SHIELDED CABLE	10'-6"
3	GK-148-017	STRAIN RELIEF LOCK NUT	1
4	GK-148-015	STRAIN RELIEF 7/8" Ø	1
5	GK-156-033	WIRE CONNECTOR 4 POSITION FEMALE	1
6	GK-156-017	WIRE CONNECTOR CRIMP TERMINAL	3
7	GK-156-008	#10 RING TERMINAL CRIMP	2

OPTIONAL VARIABLE SPEED FOOTSWITCH PARTS BREAKDOWN

DRAWING GP-200-025



CONNECT TO GSP-1000 CONTROL OR REMOTE CONTROL CABLE

ITEM	PART No.	DESCRIPTION	QTY
1	GP-150-020-A	VARIABLE SPEED FOOT SWITCH	1
2	RM-111-110	4 CONDUCTOR SHIELDED CABLE	10'-6"
3	GK-148-017	STRAIN RELIEF LOCK NUT	1
4	GK-148-015	STRAIN RELIEF 7/8"Ø	1
5	GK-156-032	WIRE CONNECTOR 3 POSITION FEMALE	1
6	GK-156-017	WIRE CONNECTOR CRIMP TERMINAL	4
7	GK-156-031	WIRE CONNECTOR 2 POSITION FEMALE	1
8	GK-148-012	STRAIN RELIEF	1
9	GK-156-008	#10 RING TERMINAL CRIMP	2