



### WELDING AND CUTTING CARRIAGE ACCESSORIES - KAT®

WORLD LEADERS IN THE DESIGN,  
MANUFACTURE & DISTRIBUTION OF AUTOMATED  
WELDING SYSTEMS AND ACCESSORIES  
CUT COSTS, IMPROVE QUALITY, AND INCREASE EFFICIENCY WITH THESE PROVEN  
GULLCO PRODUCTS



KAT® SYSTEMS	MOGGY®	WELD PREP	OVENS	CERAMIC BACKING
--------------	--------	-----------	-------	-----------------

- |  |  |   |  |  |
|--|--|---|--|--|
| <ul style="list-style-type: none"> <li>Oscillators</li> <li>Torch indexers</li> <li>Flex &amp; Rigid KAT® Programmable Travel Carriages</li> <li>Seam Trackers</li> <li>Bridge Units</li> <li>Circle Cutting System</li> </ul> | <ul style="list-style-type: none"> <li>Trackless Fillet &amp; Butt Welding, Stitch Welding control</li> <li>Radial Oscillation Control</li> <li>6" V-groove Track Available</li> </ul> | <ul style="list-style-type: none"> <li>Bevellers</li> <li>Positioners</li> <li>Grippers</li> <li>Kamel Pipe</li> <li>Turning Rolls</li> </ul> | <ul style="list-style-type: none"> <li>Flux Rebake</li> <li>Flux Holding</li> <li>Flux Hoppers</li> <li>Electrode Stabilizing</li> </ul> | <ul style="list-style-type: none"> <li>KATBAK® Ceramic Weld Backing</li> <li>Impart Uniform X-Ray Quality Back Beads</li> <li>Eliminate Costly Grinding &amp; Re-welds</li> <li>Knuckle Joints for Use On Flat or Curved Surfaces</li> </ul> |
|--|--|---|--|--|

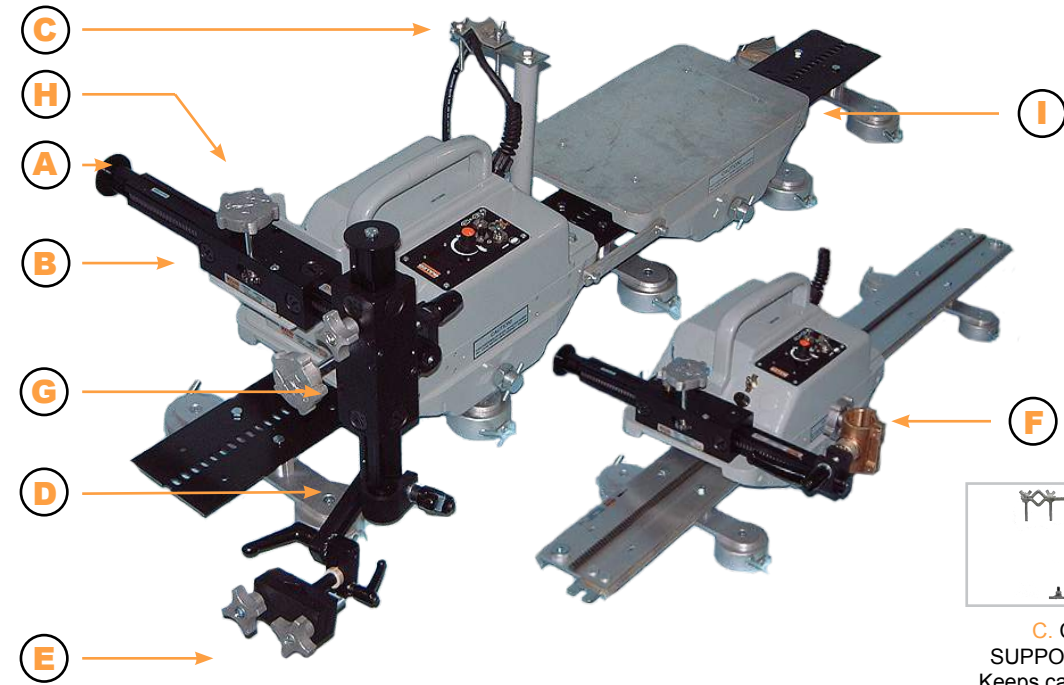
CONTACT GULLCO OR YOUR GULLCO DISTRIBUTOR TODAY FOR INFORMATION ON ANY OF THESE PRODUCTS

KAT, KBM, MOGGY, KATBAK & SAM are registered trademarks of Gullco Enterprises Limited

SPECIFICATIONS ARE SUBJECT TO CHANGE WITHOUT NOTICE. ALL DIMENSIONS ARE NOMINAL

Distributed by:

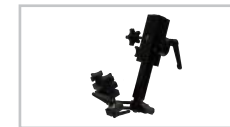
GULLCO		
<b>CANADA - GULLCO INTERNATIONAL LIMITED</b>	Phone: 905-853-4140	Fax: 905-853-4130 e-mail: csales@gullco.com
<b>U.S.A - GULLCO INTERNATIONAL INC.</b>	Phone: 440-439-8333	Fax: 440-439-3834 e-mail: ussales@gullco.com
<b>EUROPE - GULLCO INTERNATIONAL (U.K.) LIMITED</b>	Phone: +44 1257-253579	Fax: +44 1257-254829 e-mail: uksales@gullco.com
<b>AUSTRALIA - GULLCO INTERNATIONAL PTY LIMITED</b>	Phone: 61 (0)7 3348 5510	Fax: 61 (0)7 3348 5510 e-mail: ausales@gullco.com
<b>INDIA - GULLCO INTERNATIONAL INDIA PVT LIMITED</b>	Phone: 91-20-8528-0382	Fax: 91-20-2583-6655 e-mail: india@gullco.com
<b>CHINA - GULLCO INTERNATIONAL SHANGHAI LIMITED</b>	Phone: +8621-50460341	Fax: +8621-50463554 e-mail: c.zhang@gullco.com
<b>SINGAPORE - GULLCO INTERNATIONAL LIMITED</b>	Phone: +65-8385-4468	e-mail: benny.lm@gullco.com
<b>LATIN AMERICA - GULLCO INTERNATIONAL LIMITED</b>	Phone: 55-11-00495-1338	e-mail: rogerio.macedo@gullco.com
<b>Stuch GmbH &amp; Co. KG Schweißtechnik - GERMANY</b>	Phone: (02 03) 72 84 95	Fax: (02 03) 72 84 96 e-mail: info@stuch-schweisstechnik.de



**E. SEMI-AUTOMATIC GUN HOLDERS**  
Suitable for most semi-automatic welding guns



**F. BRONZE CUTTING TORCH HOLDERS**  
Accepts standard 1 3/8" (35 mm) cutting torch



**G. 4 MOTION SEMI-AUTO GUN HOLDER**  
Mounts on the KAT® horizontal rack arm to provide 5" (127 mm) of vertical adjustment 360° torch rotation & two directional angle tilt



**H. RISER BRACKET**  
To mount rack box higher than carriage when required



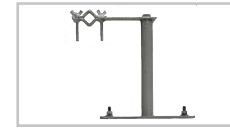
**I. IDLER CARRIAGE**  
For conveying auxiliary welding and cutting equipment



**A. RACK ARM**  
Square with one end turned. Heavy duty & Extra heavy duty



**B. RACK BOX**  
Available with standard or micro adjustment. Cross head & Arm Mount rack boxes also available



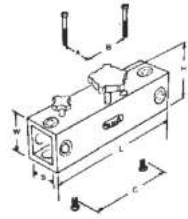
**C. CABLE SUPPORT CLAMP**  
Keeps cables clear of work area



**D. CLAMPS**  
Available as swivel or square.



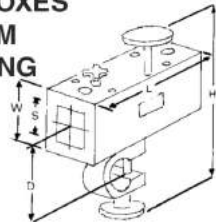
**RACK BOXES**



		H	W	L	S	A	B	C
<b>HEAVY DUTY</b> GK-171-650 GK-171-655*	In.	4.25	2.0625	6	1.125	1.625	2.625	-
	mm.	10.8	52.39	152.4	28.57	41.27	66.67	-
<b>EXTRA HEAVY DUTY</b> GK-190-650 GK-190-655*	In.	4.5	2.5	10	1.5	2	3.3	6
	mm.	114.3	63.5	254	38.1	50.8	83.82	152.4

**\*WITH MICRO FINE ADJUSTMENT GEAR BOX**

**RACK BOXES FOR ARM MOUNTING**



		H	W	L	S	D
<b>HEAVY DUTY</b> GK-171-685 GK-171-690*	In.	7	2.0625	6	1.125	1.75
	mm.	177.8	52.39	152.4	28.57	44.45
<b>EXTRA HEAVY DUTY</b> GK-190-685 GK-190-690*	In.	7.5	2.5	10	1.5	2.25
	mm.	190.5	63.5	254	38.1	57.15

**\*WITH MICRO FINE ADJUSTMENT GEAR BOX**

**RACK ARMS**



**HEAVY DUTY RACK ARMS**

1 1/8" (29mm) square rack arm and rack with one end turned to 1 1/8" (29mm) diameter

- GK-171-047-1** 12" (305mm) long
  - GK-171-047-2** 18" (457mm) long
  - GK-171-047-3** 24" (610mm) long
  - GK-171-047-4** 36" (914mm) long
- other lengths available on request

**EXTRA HEAVY DUTY RACK ARMS**

1 1/2" (38mm) square rack arm and rack with one end turned to 1 1/8" (29mm) diameter

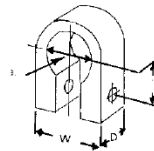
- GK-190-047-2** 18" (457mm) long
  - GK-190-047-3** 24" (610mm) long
  - GK-190-047-4** 36" (914mm) long
- other lengths available on request

**CLAMPS**

**Swivel Clamps**

for mounting torch holders, rack boxes and other KAT® accessories

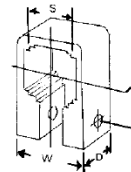
		Dia.	W	D	A
<b>HEAVY DUTY</b> GK-166-183	In.	1.125	1.625	1.25	.775
	mm.	28.57	41.27	31.75	19.68



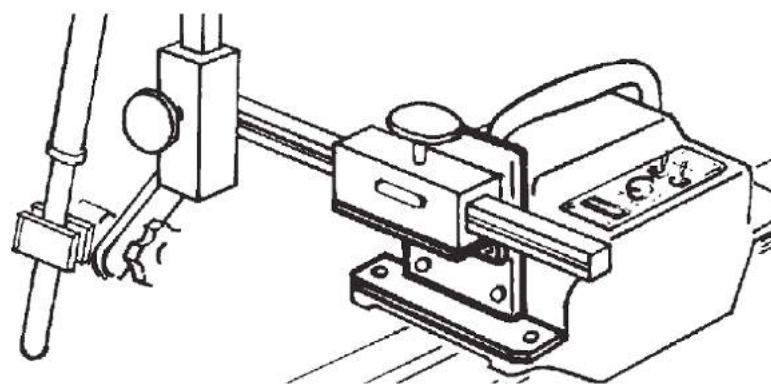
**Square Clamps**

for mounting welding guns, cutting torches and other KAT® accessories

		Dia.	W	D	A
<b>HEAVY DUTY</b> GK-166-236	In.	1.125	1.625	1.125	1.0625
	mm.	28.57	41.27	28.57	27
<b>EXTRA HEAVY DUTY</b> GK-190-236	In.	1.5	2.125	1.25	1.437
	mm.	38	54	31.75	36.5



**RACK BOX RISER BRACKET**



**MODEL GK-190-066**

For applications that require a mounting surface higher than the level provided with the rack box mounted directly on the front of the KAT® Carriage. Height can be increased by 2, 4 or 6" (51, 102 or 152 mm).

**TORCH HOLDERS AND ASSEMBLIES**



**SEMI-AUTOMATIC 4 MOTION WELDING GUN HOLDER**

**MODEL GK-165-074-2**

(complete unit)... For mounting on the KAT® horizontal rack arm to provide 5" (127 mm) of vertical adjustment, 360° torch rotation and two directional tilt. Supplied complete with standard 1 1/8" (29 mm) I.D. swivel clamp\* and insulated linkage for the gun holder which is suitable for most semi-automatic welding guns. Gun holder jaws are adjustable from 5/8" (16 mm) to 1 1/2" (38 mm) \*Note: can be supplied with 1 1/8" (29 mm) or 1 1/2" (38 mm) square clamp.

**SEMI-AUTOMATIC GUN HOLDER**



MODEL GK-165-145 (complete unit)... Complete with standard 1 1/8" (29 mm) I.D. swivel clamp\* and insulated linkage for the gun holder which is suitable for most semi-automatic welding guns. Gun holder jaws are adjustable from 5/8" (16 mm) to 1 1/2" (38 mm) \*Note: can be supplied with 1 1/8" (29 mm) or 1 1/2" (38 mm) square clamp

**IDLER CARRIAGES**

**GK-171-154**

Provides an 8 3/4" x 14 7/8" platform on which a variety of welding/cutting equipment can be mounted and towed individually or in tandem along straight or formed sections of KAT® Track by the Gullco KAT® Travel Carriage. Self aligning retractable wheels enable easy mounting at any point along the track. Load capacity is 100lbs.



**REMOTE CONTROL PENDANT**

Supplied with 8 ft. (244 cm) cable providing control of numerous KAT® functions.



**STANDARD CUTTING TORCH HOLDERS**

**GK-165-068**

Accepts standard 1 3/8" (35 mm) cutting torches with 32 pitch rack. Supplied with calibrated angle of tilt scale and 1 1/8" (29 mm) or 1 1/2" (38 mm) square clamp.



**GK-165-068-M** Accepts 1.280" (32.50mm) cutting torches. Supplied with calibrated angle of title scale as above.

**CABLE SUPPORT CLAMP**

**GK-181-027**

Swivel clamp assembly is readily mounted on the front or back of the KAT® Travel Carriage to keep cables clear of the work area. Clamp can be adusted to provide approximately 1 3/4" diameter holding opening



**SEAM TRACKER SYSTEM**



...high precision tracking system that maintain the torch in optimum operating position regardless of variations in the weld seam...providing improved quality and efficiency in a wide variety of welding operations.