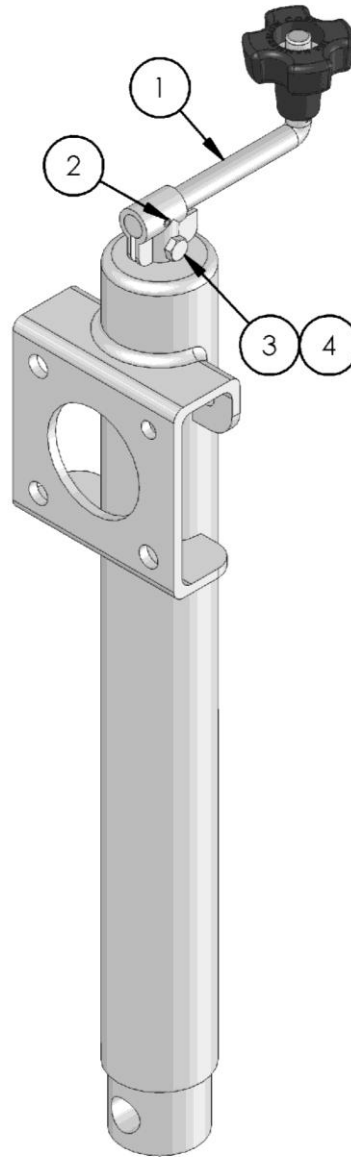


LIFTING JACK ASSEMBLY BREAKDOWN

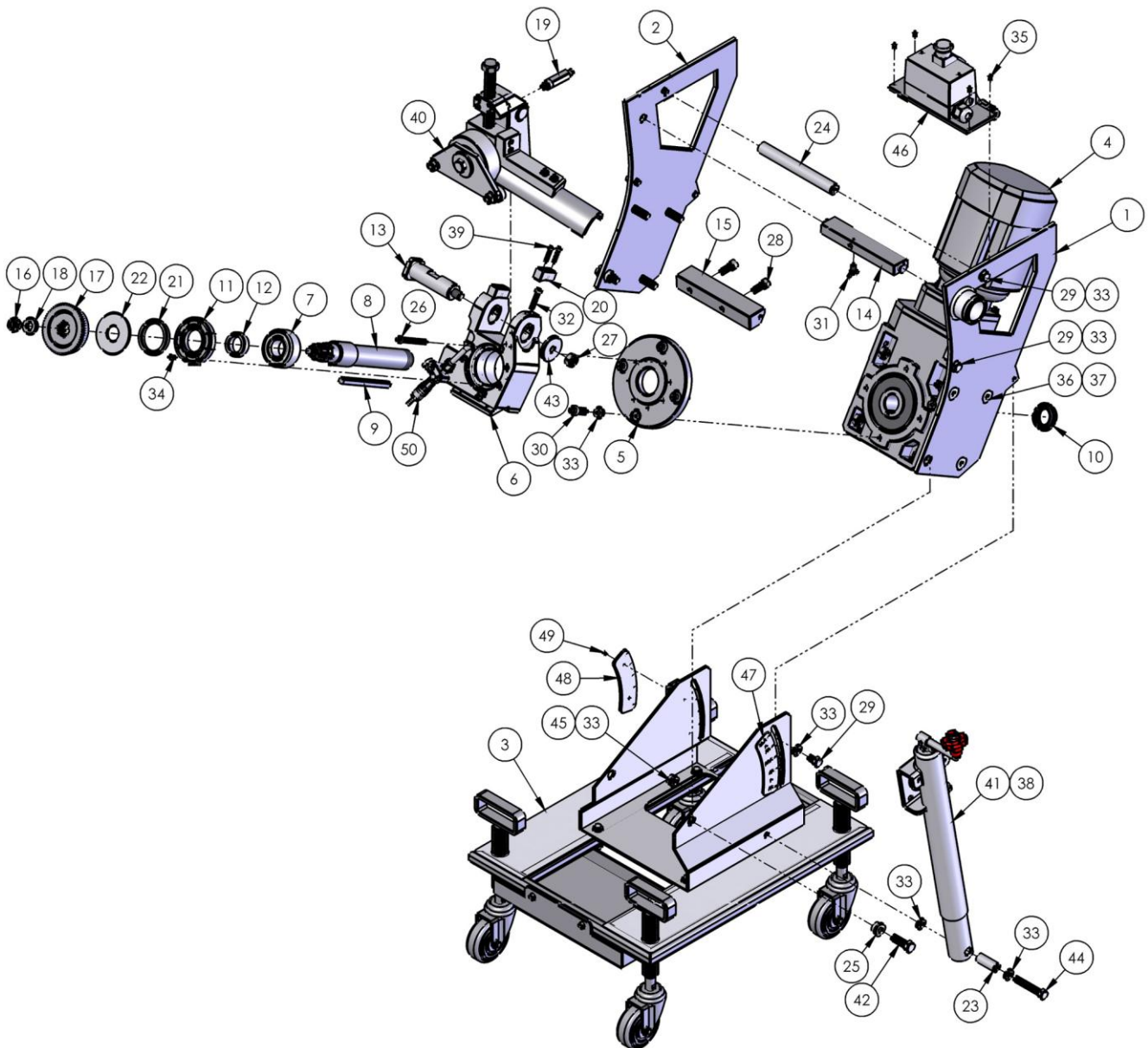
Drawing Number: KBM-18U-004



ITEM	PART NUMBER	DESCRIPTION	QTY
1	KBM-18U-004-1	JACK HANDLE	1
2	GK-117-033	3/16 x 3/4 SPRING PIN	1
3	GK-108-052	1/4-20UNC x 1 HEX BOLT	1
4	GK-109-050	1/4-20UNC HEX NUT	1

KBM®-18U GENERAL ASSEMBLY BREAKDOWN

Drawing Number: KBM-18U



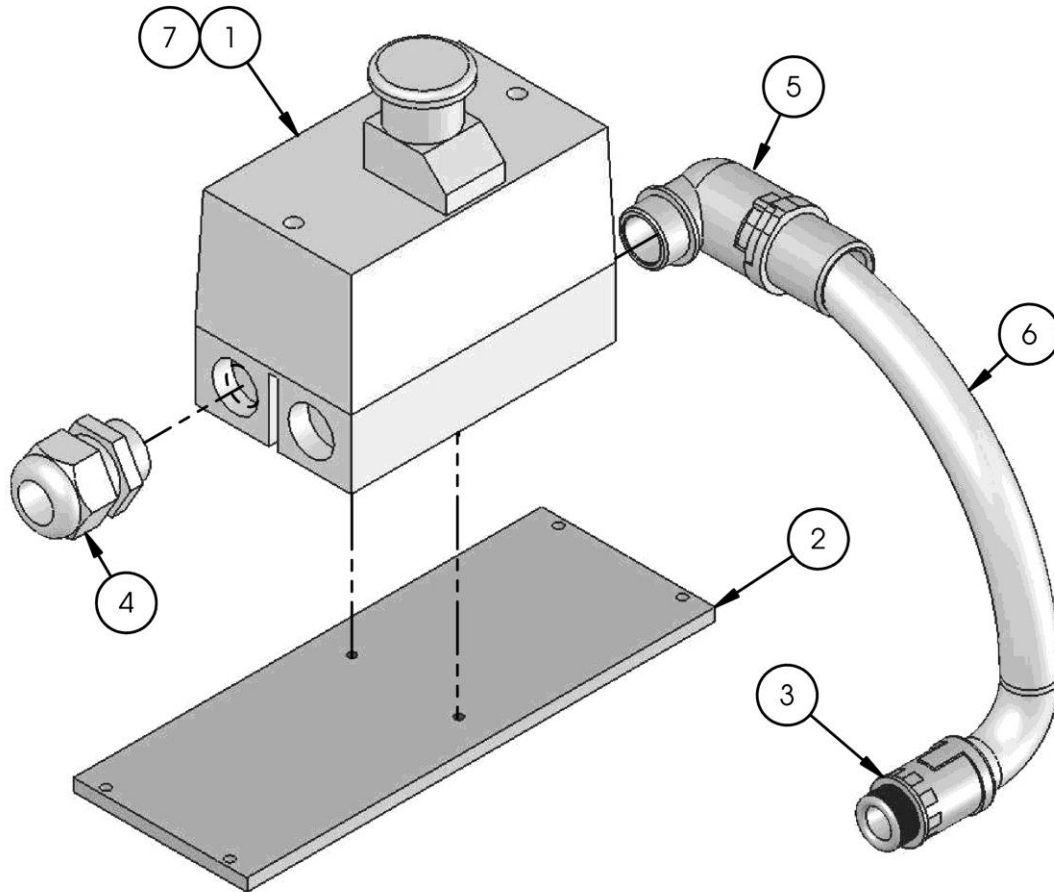
KBM®-18U GENERAL ASSEMBLY BREAKDOWN

Drawing Number: KBM-18U

ITEM	PART NO.	DESCRIPTION	QTY.
1	KBM-18U-034-R	RIGHT BODY SIDE	1
2	KBM-18U-034-L	LEFT BODY SIDE	1
3	KBM-18U-068	BASE FRAME	1
4	KBM-18U-120-A	230/460V GEARMOTOR (KBM-18U-A, B, C & D)	1
	KBM-18U-120-B	575V GEARMOTOR (KBM-18U-E)	
5	KBM-18-098	GEARBOX MOUNT	1
6	KBM-18U-035	CUTTER SHAFT HOUSING	1
7	KBM-18-05759	MAIN ROLLER BEARING	1
8	KBM-18-032	CUTTER SHAFT	1
9	KBM-18-033	CUTTER SHAFT KEY	1
10	KBM-18-111	M40-1.5 SELF LOCKING NUT	1
11	GBM-18-031	STOP DISC	1
12	GBM-18-076	CUTTER SHAFT COLLAR	1
13	KBM-18U-030	ANGLE ALIGNMENT BOLT	1
14	KBM-18-055	ANGLE SUPPORT BAR	1
15	KBM-18-070	MAIN SUPPORT BAR	1
16	GBM-18-07786	CUTTER NUT	1
17	GBM-18-X1	DEEP TOOTH CUTTER	1
	GBM-18-FXS	SHALLOW TOOTH CUTTER	
	KBM-18-X1C	MEDIUM TOOTH CUTTER	
18	KBM-18-106	CUTTER SHAFT WASHER	1
19	GBM-18-020-225	22.5 DEGREE ANGLE PIN	1
	GBM-18-020-300	30 DEGREE ANGLE PIN	1
	GBM-18-020-375	37.5 DEGREE ANGLE PIN	1
	GBM-18-020-045	40 DEGREE ANGLE PIN	1
	GBM-18-020-055	55 DEGREE ANGLE PIN	1
20	KBM-18U-001	RETAINING BLOCK	2
21	GBM-18-094	CUTTER FELT INSERT	1
22	GBM-18-015-A	0.5mm CUTTER SHIM (FOR USE WITH GROUND CUTTER)	AS NEEDED
	GBM-18-015-B	1.0mm CUTTER SHIM (FOR USE WITH GROUND CUTTER)	
23	KBM-18U-002	PIVOT PIN	1
24	KBM-18U-003	STIFFENER ROD	1
25	KBM-18U-005	PIVOT COLLAR	3
26	GK-107-138	M8-1.25 x 90mm SHCS	7
27	GK-135-061	M16-2.0 NYLOK HEX NUT	1
28	GK-107-144	M12-1.75 x 30mm SHCS	2
29	GK-108-144	M12-1.75 x 20mm HEX BOLT	6
30	GK-107-137	M12-1.75 x 35mm SHCS	4
31	GK-161-002	WING SCREW M8-1.25 x 15mm	1
32	GK-107-111	M8-1.25 x 40mm SHCS	2
33	GK-111-095	WASHER 12mm BOLT x 24 OD x 2.5	13
34	GK-107-140	M5-0.8 x 16mm SHCS	8
35	GK-112-117	M4-0.7 x 12mm BHCS	4
36	GK-105-101	M14 x 50mm FHSCS	6
37	GK-109-081	M14-2.0 HEX NUT	8
38	GK119-069	2.5 RETAINING RING	1
39	GK-107-110	M6-1.0 x 30mm SHCS	4
40	KBM-18U-025	PIVOT ARM ASSEMBLY	1
41	KBM-18U-004	LIFTING JACK ASSEMBLY	1
42	GK-108-154	M14-2.0 x 45mm HEX BOLT	2
43	KBM-18-031	HEAVY DUTY WASHER	1
44	GK-108-149	M12-1.75 x 80mm HEX BOLT	1
45	GK-109-072	M12-1.75 HEX NUT	1
46	KBM-18U-007	STARTER ASSEMBLY	1
47	KBM-18U-010-R	RIGHT ANGLE PLAQUE	1
48	KBM-18U-010-L	LEFT ANGLE PLAQUE	1
49	GK-105-106	M3-0.5 x 6mm FHSCS	4
50	KBM-18U-012	AIR JET ASSEMBLY (OPTIONAL)	1

STARTER ASSEMBLY BREAKDOWN

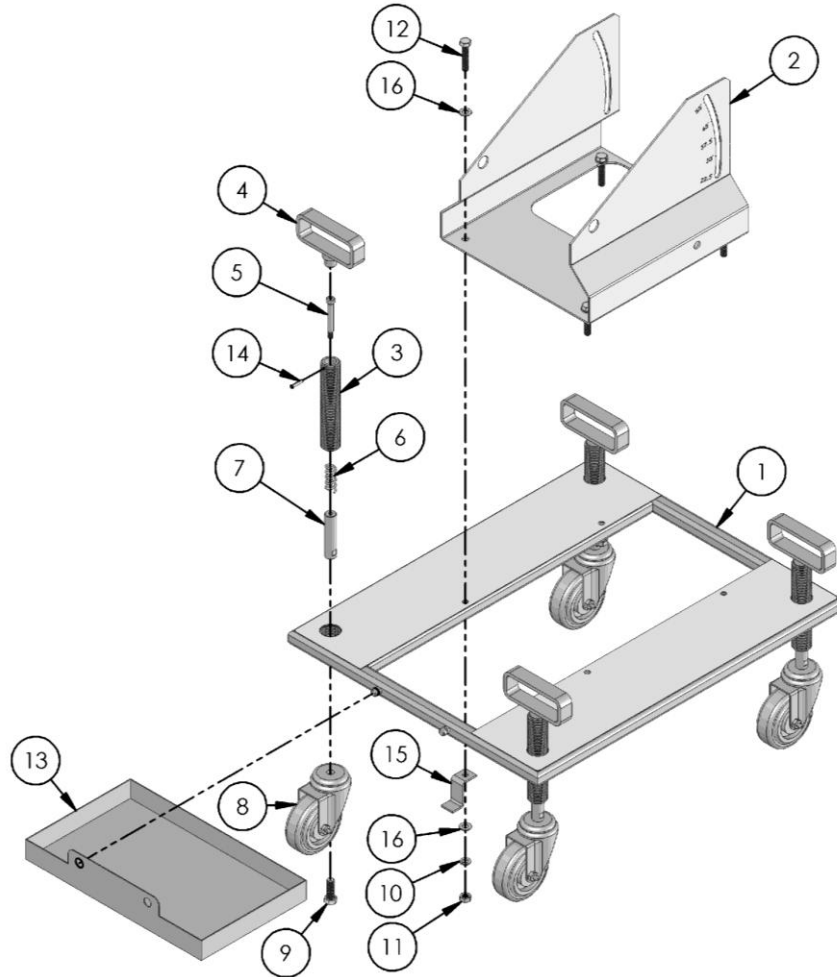
Part Number: KBM-18U-007



ITEM	PART NUMBER	DESCRIPTION	QTY
1	GBM-18-019-A	MANUAL STARTER ASSEMBLY (230V)	1
	GBM-18-019-B	MANUAL STARTER ASSEMBLY (380V)	
	GBM-18-019-C	MANUAL STARTER ASSEMBLY (400/415V & 460V)	
	GBM-18-019-D	MANUAL STARTER ASSEMBLY (575V)	
2	KBM-18U-006	STARTER MOUNTING BRACKET	1
3	GK-148-025	PG16 STRAIGHT CONNECTOR	1
4	GK-148-032	M25 CABLE GLAND	1
5	GK-148-031	M25-1.5MM 90 DEG. CONNECTOR	1
6	RM-114-111	BLACK FLEX TUBE PMA	9"
7	GK-107-059	#10-32UNF x 3/8 SHCS	2

UNDERCARRIAGE ASSEMBLY BREAKDOWN

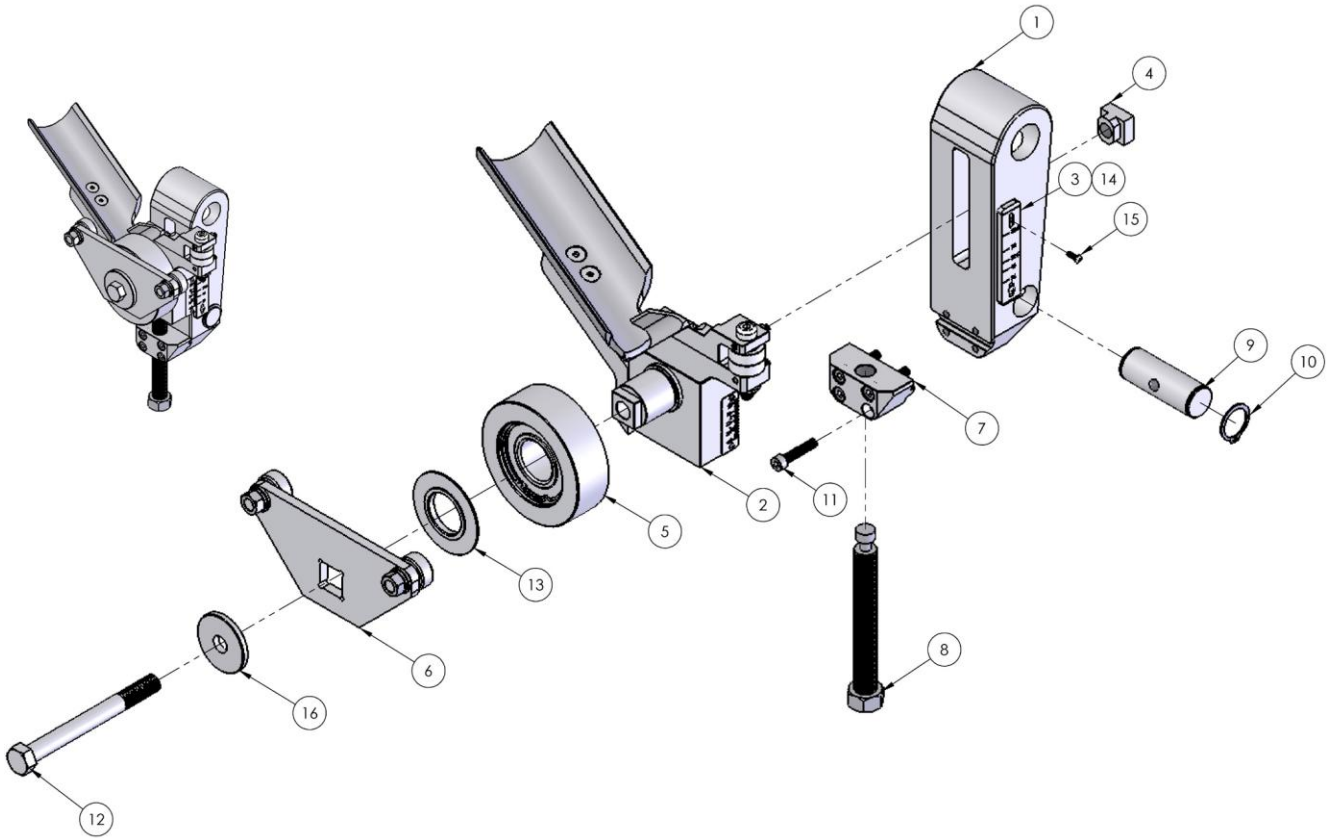
Part Number: KBM-18U-068



ITEM	PART NUMBER	DESCRIPTION	QTY
1	KBM-18-089	BASE FRAME	1
2	KBM-18U-081	TILTING FRAME	1
3	GBM-18-084	HEIGHT ADJUSTMENT SCREW	4
4	GBM-18-086	HANDLE	4
5	GK-104-075	3/8 x 2-1/4 SHOULDER BOLT	4
6	GK-116-022	SPRING	4
7	GBM-18-087	CASTER PIN	4
8	GBM-18-093	SWIVEL CASTER	4
9	GK-108-134	M12-1.75 x 35mm HEX BOLT	4
10	GK-136-069	LOCK WASHER 10mm BOLT	4
11	GK-109-075	M10-1.5 HEX NUT	4
12	GK-108-124	M10-1.5 x 50mm HEX BOLT	4
13	GBM-18-092	CHIP TRAY	1
14	GK-117-026	3/16 x 1 SPRING PIN	4
15	GBM-18-091	CHIP TRAY MOUNTING BRACKET	2
16	GK-111-096	WASHER 10mm BOLT x 20 OD x 2	8

PIVOT ARM ASSEMBLY BREAKDOWN

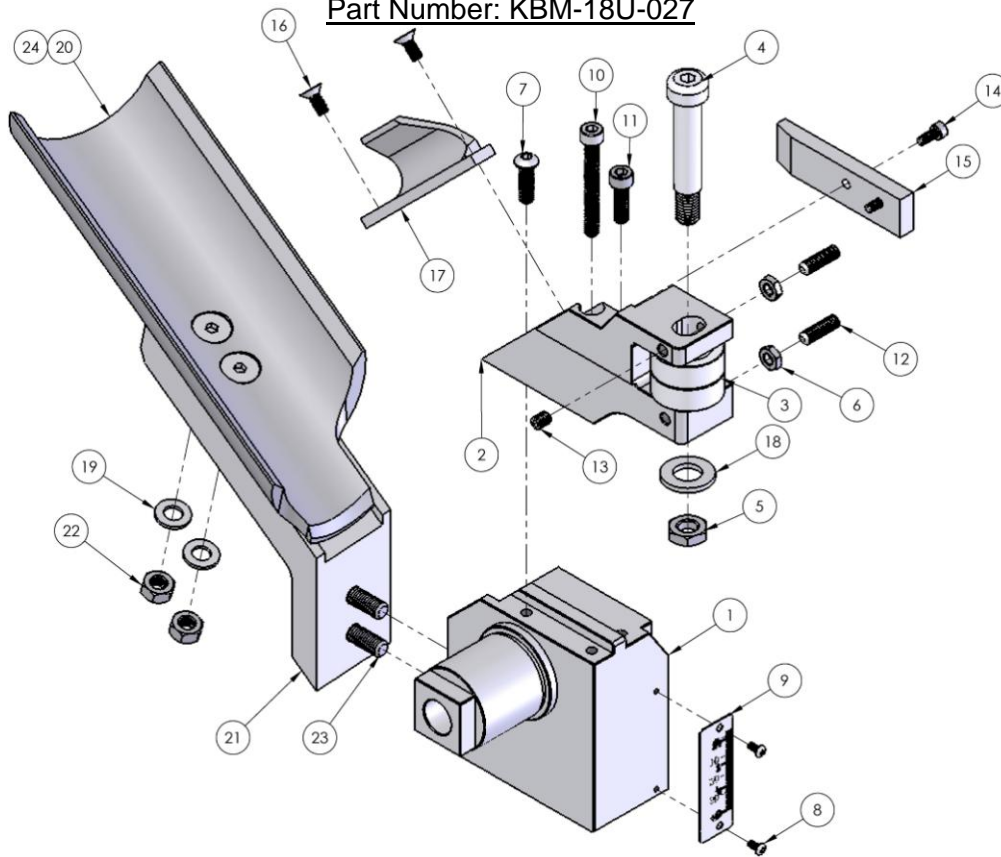
Part Number: KBM-18U-025



ITEM	PART NUMBER	DESCRIPTION	QTY
1	KBM-18-042	PIVOT ARM BLOCK	1
2	KBM-18U-027	SLIDE BASE ASSEMBLY	1
3	KBM-18-112	ANGLE REFERENCE SCALE	1
4	KBM-18-046	T-NUT	1
5	KBM-18-026	MAIN ROLLER ASSEMBLY	1
6	KBM-18-029	SUPPORT ROLLER ASSEMBLY	1
7	KBM-18-038	ADJUSTING BOLT SUPPORT	1
8	KBM-18-039	SLIDE BASE ADJUSTING BOLT	1
9	KBM-18-043	ANGLE PIVOT PIN	1
10	GK-119-067	30MM EXT. RETAINING RING x 1.5MM	2
11	GK-107-111	M8-1.25 x 40mm SHCS	4
12	GK-108-143	M16-2 x 160mm HEX BOLT	1
13	KBM-18-097	COVER PLATE	1
14	KBM-18-021	SCALE SPACER	1
15	GK-112-117	M4-0.7 x 12mm BHCS	2
16	KBM-18-031	HEAVY DUTY WASHER	1

SLIDE BASE ASSEMBLY BREAKDOWN

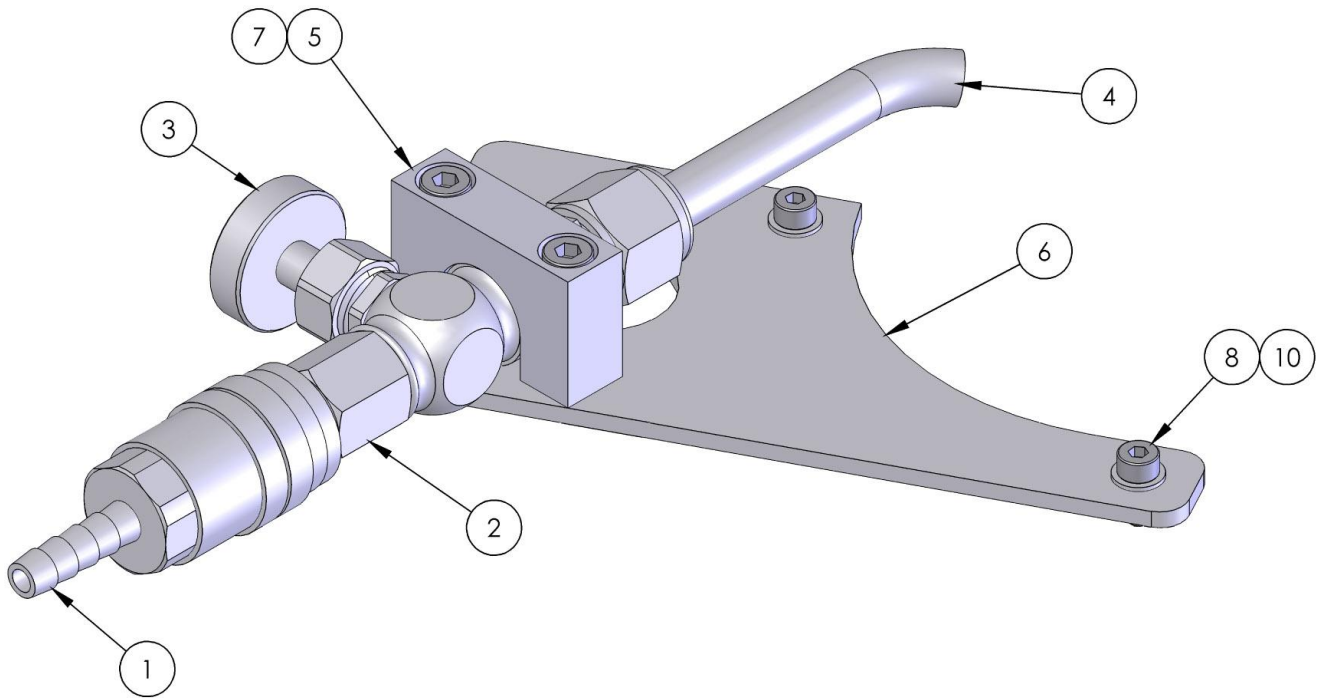
Part Number: KBM-18U-027



ITEM	PART NUMBER	DESCRIPTION	QTY
1	KBM-18U-040	SLIDE BASE	1
2	KBM-18-063	GUIDE ROLLER BRACKET	1
3	KBM-18-064	GUIDE ROLLER	2
4	GK-104-087	12mm x 50mm SHOULDER BOLT	1
5	GK-110-070	M10 x 1.5 HEX HEAD JAM NUT	1
6	GK-110-071	M6 x 1.0 HEX HEAD JAM NUT	2
7	GK-112-131	M6-1.0 x 20mm BHCS	1
8	GK-112-132	M3 x 6mm BHCS	2
9	KBM-18-041	ROOT FACE SCALE	1
10	GK-107-136	M6-1.0 x 50mm SHCS	1
11	GK-107-120	M6-1.0 x 20mm SHCS	1
12	GK-106-086	M6-1.0 x 20mm SET SCREW	2
13	GK-106-085	M6-1.0 x 8mm SET SCREW	1
14	GK-107-139	M4-0.7 x 10mm SHCS	2
15	KBM-18-056	CHIP DEFLECTOR SUPPORT	1
16	GK-105-100	M5-0.8 x 12mm FHSCS	2
17	KBM-18-071	CHIP DEFLECTOR	1
18	GK-111-095	WASHER 12mm BOLT x 24 OD x 2.5	1
19	GK-111-101	WASHER 8mm BOLT x 16 OD x 1.6	2
20	KBM-18U-009	AUXILIARY CHIP DEFLECTOR	1
21	KBM-28U-010	MOUNTING BRACKET	1
22	GK-109-064	M8-1.25 HEX NUT	2
23	GK-107-106	M8-1.25 x 30mm SHCS	2
24	GK-105-104	M8 x 40mm FHSCS	2

OPTIONAL AIR JET ASSEMBLY BREAKDOWN

Part Number: KBM-18U-012



ITEM	PART NO.	DESCRIPTION	QTY.
1	GF-168-010	QUICK CONNECT COUPLER	1
2	GBM-25-018	QUICK CONNECT PLUG	1
3	GBM-25-017	FLOW VALVE	1
4	KBM-18U-011	FORMED AIR PIPE	1
5	KBM-28U-016	AIR BLOWER MOUNTING CLAMP	1
6	KBM-18U-013	MOUNT PLATE	1
7	GK-107-127	M5-0.8 x 25mm SHCS	2
8	GK-107-139	M4-0.7 x 10mm SHCS	2
10	GK-111-105	WASHER 4mm BOLT x 9 OD x 0.8	2