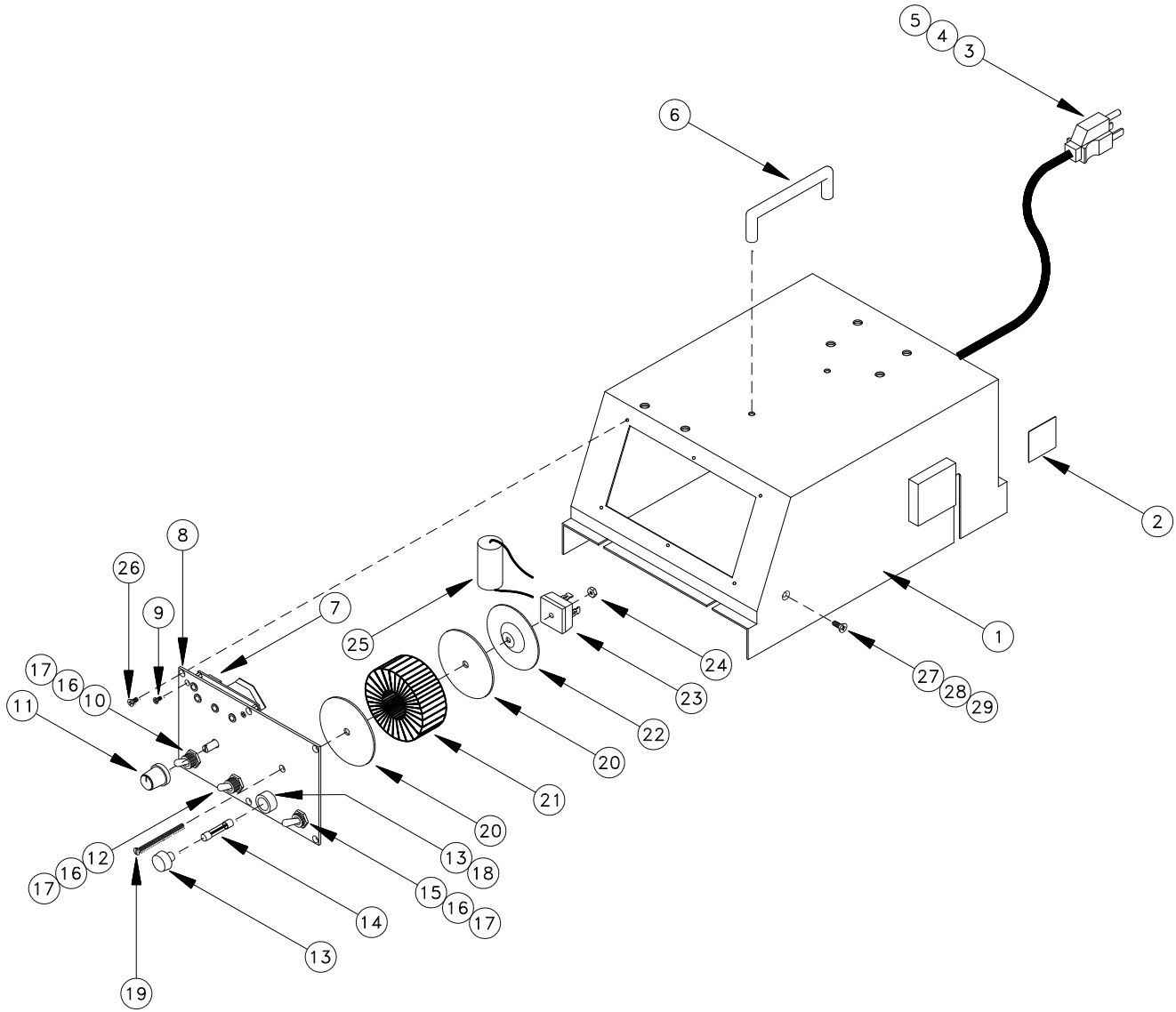


KAT II CARRIAGE LOWER HOUSING ASSEMBLY
REFERENCE:- DRAWING GK-181-005

ITEM	PART NUMBER	DESCRIPTION	QTY
1	GK-181-003	KAT II WHEEL MOUNTING PLATE	1
	GS-010-007	GEAR MOTOR WITH PINION (ITEMS 2, 14,15 & 32)	1
2	GK-189-040	24 VDC GEAR MOTOR (INCLUDES ITEM 32)	1
	GK-181-006	CAM HOLDER & SUPPORT ASSEMBLY (ITEMS 3-9)	1
3	GK-181-016	CAM SHAFT SUPPORT ANGLE	1
4	GK-181-012	CAM LEVER	1
5	GK-111-051	1/4" I.D. x 5/8" O.D. FLAT WASHER	1
6	GK-116-003	3/8" O.D. x 9/32" I.D x 3/4" LONG SPRING	1
7	GK-117-006	Ø3/32" x 1/2" LONG SPRING PIN	3
8	GK-181-013	CAM	1
9	GK-181-011	CAM HOLDER	1
10	GK-112-054	#10-32 x 1/2" LONG ROUND HEAD SCREW	2
11	GK-181-002	KAT II MOTOR MOUNTING PLATE	1
12	GK-136-059	#8 LOCK WASHER	4
13	GK-112-052	#8-32 x 5/8" LONG ROUND HEAD SCREW	4
14	GS-010-011	14 TEETH PINION	1
15	GK-117-011	Ø3/32" x 5/8" LONG SPRING PIN	1
16	GK-104-051	Ø3/8" x 5/8" SOCKET HEAD SHOULDER SCREW	1
	GK-181-018	LOWER GEAR ASSEMBLY (ITEMS 17 & 18)	1
17	GK-181-015	15 TEETH GEAR	1
18	GK-118-055	FLANGE BEARING	1
19	GK-104-070	Ø5/16" x 1/2" SOCKET HEAD SHOULDER SCREW	1
20	GK-108-066	5/16"-18 x 1/2" LONG HEX BOLT	4
21	GK-111-054	5/16" I.D. x 3/4" O.D.FLAT WASHER	6
22	GS-010-018	ADJUSTABLE V-WHEEL SPACER	2
23	GK-109-052	5/16"-18 HEX NUT	2
24	GK-112-084	#10-32 x 1/4" LONG ROUND HEAD SCREW	4
25	GK-108-085	5/16"-18 x 1 3/4" LONG HEX BOLT	2
	GS-010-022	V-WHEEL ASSEMBLY (ITEMS 26 - 28)	4
26	GS-010-015	V-WHEEL	4
27	GS-010-023	BALL BEARING	4
28	GK-119-056	RETAINING RING	4
29	GS-010-017	V-WHEEL SPACER	2
30	GK-141-011	#10-32 x 1/2" LONG FLAT HEAD MACHINE SCREW	4
31	GK-181-014	POST	1
32	GK-156-003	2 TERMINAL MOTOR CONNECTOR (NOT SHOWN)	1

KAT II CARRIAGE UPPER HOUSING ASSEMBLY



DRAWING NUMBER GK-189-010

KAT II CARRIAGE UPPER HOUSING ASSEMBLY
REFERENCE:- DRAWING GK-189-010

ITEM	PART NUMBER	DESCRIPTION	QTY
1	GK-181-001	KAT II TOP COVER	1
2	GL-190-019	"PUSH TO TURN " NAMEPLATE	1
3	GK-171-032	POWER CORD	1
4	GK-148-014	STRAIN RELIEF	1
5	GK-156-047	3-TERMINAL CORD CONNECTOR	1
6	GK-153-013	HANDLE (WITH SCREWS)	1
	GK-189-049	KAT II CONTROL ASSEMBLY (ITEMS 7 - 25)	1
7	GK-189-050	CIRCUIT BOARD ASSEMBLY (INCLUDING ITEMS 10 & 12)	1
8	GK-189-048	FACE PLATE	1
9	GK-141-018	#4-40 x 3/8" FLAT HEAD MACHINE SCREW	2
10	GK-191-P-100	FORWARD / REVERSE SWITCH	1
11	GK-191-P-097	SPEED SELECTOR KNOB	1
12	GK-191-P-052	RUN / STOP SWITCH	1
13	GK-165-134	FUSE HOLDER	1
14	GK-165-098	5 AMP SLOW BLOW FUSE FOR 42 V AC	1
	GK-165-099	2.5 AMP SLOW BLOW FUSE FOR 115 V AC	
	GK-165-097	1.25 AMP SLOW BLOW FUSE FOR 230 V AC	
15	GK-191-P-022	POWER ON/OFF SWITCH	1
16	GK-191-P-056	NUT	3
17	GK-129-014	INTERNAL LOCK WASHER	3
18	GK-165-133	METAL NUT FOR FUSE HOLDER	1
	GK-189-039	ELECTRICAL ASSEMBLY (ITEMS 19-25)	1
19	GK-141-021	#6-32 x 3" FLAT HEAD MACHINE SCREW	1
20	GK-189-046	TRANSFORMER MOUNTING RUBBERS	2
21	GK-191-P-153	TRANSFORMER (SPECIFY 42 V AC, 115 V AC OR 230 V AC SUPPLY)	1
22	GK-189-047	TRANSFORMER MOUNTING PLATE	1
23	GK-191-P-020	BRIDGE RECTIFIER (MDA 2500)	1
24	GK-135-054	#6-32 HEX HEAD LOCK NUT	1
25	GK-189-042	CAPACITOR (4700 μ F @ 40 V)	1
26	GK-141-014	#6-32 x 5/16" LONG FLAT HEAD MACHINE SCREW	6
27	GK-141-001	#8-32 x 1/2" LONG FLAT HEAD MACHINE SCREW	1
28	GK-136-059	#8 LOCK WASHER	1
29	GK-135-058	#8-32 LOCK NUT	1
30	GK-191-P-128	LINE CORD INTERFACE HARNESS (NOT SHOWN)	1