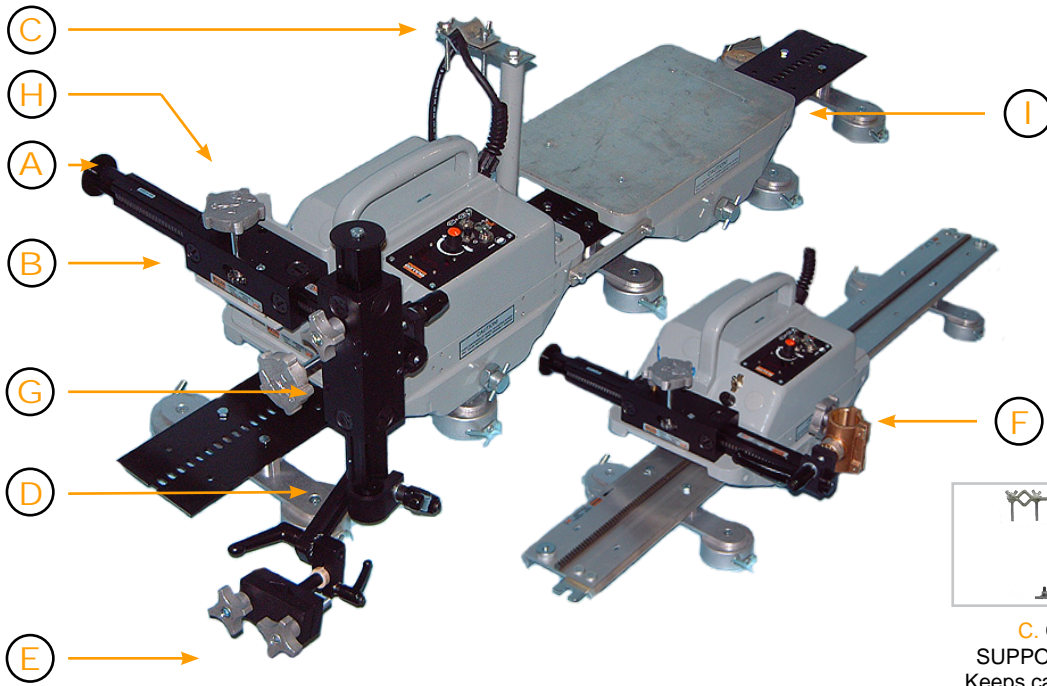




WELDING AND CUTTING CARRIAGE ACCESSORIES - KAT®



**A. RACK ARM**  
Square with one end turned. Heavy duty & Extra heavy duty



**B. RACK BOX**  
Available with standard or micro adjustment. Cross head & Arm Mount rack boxes also available



**C. CABLE SUPPORT CLAMP**  
Keeps cables clear of work area



**D. CLAMPS**  
Available as swivel or square.



**E. SEMI-AUTOMATIC GUN HOLDERS**  
Suitable for most semi-automatic welding guns



**F. BRONZE CUTTING TORCH HOLDERS**  
Accepts standard 1 3/8" (35 mm) cutting torch



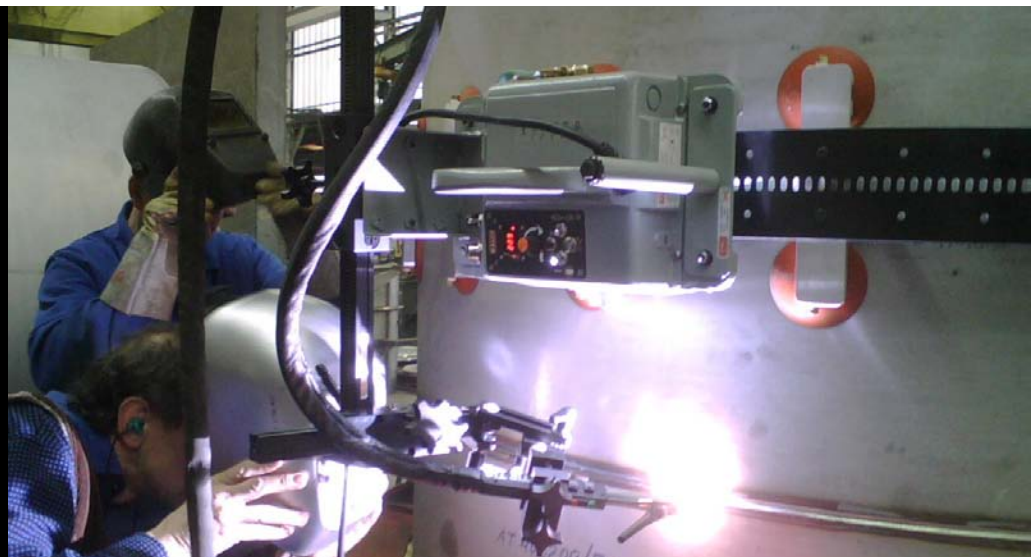
**G. 4 MOTION SEMI-AUTO GUN HOLDER**  
Mounts on the KAT® horizontal rack arm to provide 5" (127 mm) of vertical adjustment 360° torch rotation & two directional angle tilt



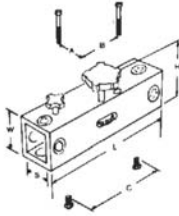
**H. RISER BRACKET**  
To mount rack box higher than carriage when required



**I. IDLER CARRIAGE**  
For conveying auxiliary welding and cutting equipment



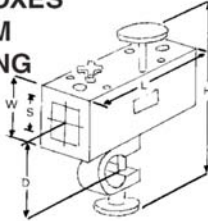
## RACK BOXES



		H	W	L	S	A	B	C
HEAVY DUTY GK-171-650 GK-171-655*	In.	4.25	2.0625	6	1.125	1.625	2.625	-
	mm.	10.8	52.39	152.4	28.57	41.27	66.67	-
EXTRA HEAVY DUTY GK-190-650 GK-190-655*	In.	4.5	2.5	10	1.5	2	3.3	6
	mm.	114.3	63.5	254	38.1	50.8	83.82	152.4

**\*WITH MICRO FINE ADJUSTMENT GEAR BOX**

## RACK BOXES FOR ARM MOUNTING



		H	W	L	S	D
HEAVY DUTY GK-171-685 GK-171-690*	In.	7	2.0625	6	1.125	1.75
	mm.	177.8	52.39	152.4	28.57	44.45
EXTRA HEAVY DUTY GK-190-685 GK-190-690*	In.	7.5	2.5	10	1.5	2.25
	mm.	190.5	63.5	254	38.1	57.15

**\*WITH MICRO FINE ADJUSTMENT GEAR BOX**

## RACK ARMS



### HEAVY DUTY RACK ARMS

1 1/8" (29mm) square rack arm and rack with one end turned to 1 1/8" (29mm) diameter

**GK-171-047-1** 12" (305mm) long

**GK-171-047-2** 18" (457mm) long

**GK-171-047-3** 24" (610mm) long

**GK-171-047-4** 36" (914mm) long

other lengths available on request

### EXTRA HEAVY DUTY RACK ARMS

1 1/2" (38mm) square rack arm and rack with one end turned to 1 1/8" (29mm) diameter

**GK-190-047-2** 18" (457mm) long

**GK-190-047-3** 24" (610mm) long

**GK-190-047-4** 36" (914mm) long

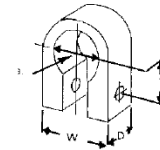
other lengths available on request

## CLAMPS

### Swivel Clamps

for mounting torch holders, rack boxes and other KAT® accessories

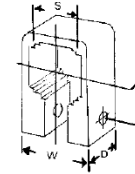
		Dia.	W	D	A
HEAVY DUTY GK-166-183	In.	1.125	1.625	1.25	.775
	mm.	28.57	41.27	31.75	19.68



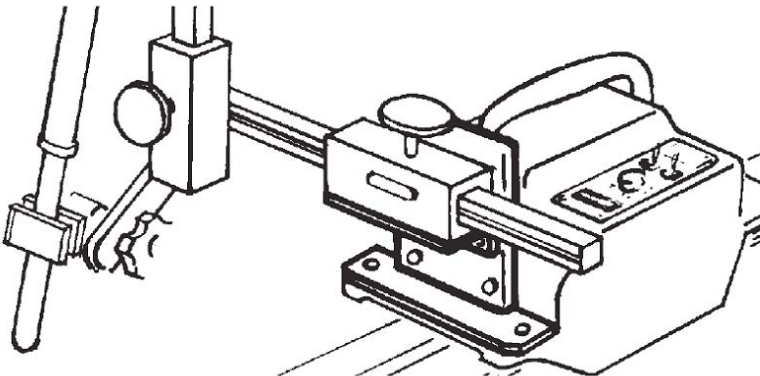
### Square Clamps

for mounting welding guns, cutting torches and other KAT® accessories

		Dia.	W	D	A
HEAVY DUTY GK-166-236	In.	1.125	1.625	1.125	1.0625
	mm.	28.57	41.27	28.57	27
EXTRA HEAVY DUTY GK-190-236	In.	1.5	2.125	1.25	1.437
	mm.	38	54	31.75	36.5



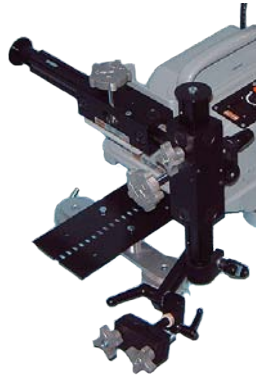
## RACK BOX RISER BRACKET



### MODEL GK-190-066

For applications that require a mounting surface higher than the level provided with the rack box mounted directly on the front of the KAT® Carriage. Height can be increased by 2, 4 or 6" (51, 102 or 152 mm).

## TORCH HOLDERS AND ASSEMBLIES



### SEMI-AUTOMATIC 4 MOTION WELDING GUN HOLDER

#### MODEL GK-165-074-2

(complete unit)... For mounting on the KAT@ horizontal rack arm to provide 5" (127 mm) of vertical adjustment, 360° torch rotation and two directional tilt. Supplied complete with standard 1 1/8" (29 mm) I.D. swivel clamp\* and insulated linkage for the gun holder which is suitable for most semi-automatic welding guns. Gun holder jaws are adjustable from 5/8" (16 mm) to 1 1/2" (38 mm) \*Note: can be supplied with 1 1/8" (29 mm) or 1 1/2" (38 mm) square clamp.

### SEMI-AUTOMATIC GUN HOLDER



MODEL GK-165-145 (complete unit)... Complete with standard 1 1/8" (29 mm) I.D. swivel clamp\* and insulated linkage for the gun holder which is suitable for most semi-automatic welding guns. Gun holder jaws are adjustable from 5/8" (16 mm) to 1 1/2" (38 mm) \*Note: can be supplied with 1 1/8" (29 mm) or 1 1/2" (38 mm) square clamp

## IDLER CARRIAGES

### GK-171-154

Provides an 8 3/4" x 14 7/8" platform on which a variety of welding/cutting equipment can be mounted and towed



individually or in tandem along straight or formed sections of KAT@ Track by the Gullco KAT@ Travel Carriage. Self aligning retractable wheels enable easy mounting at any point along the track. Load capacity is 100lbs.

## REMOTE CONTROL PENDANT

Supplied with 10 ft. (304.8 cm) cable providing control of numerous KAT@ functions.



## STANDARD CUTTING TORCH HOLDER

### GK-165-068B

Accepts standard 1 3/8" (35 mm) cutting torches with 32 pitch rack. Supplied with calibrated angle of tilt scale and 1 1/8" (29 mm) or 1 1/2" (38 mm) square clamp.



## CABLE SUPPORT CLAMP

### GK-181-027

Swivel clamp assembly is readily mounted on the front or back of the KAT@ Travel Carriage to keep cables clear of the work area. Clamp can be adjusted to provide approximately 1 3/4" diameter holding opening



## SEAM TRACKER SYSTEM



...high precision tracking system that maintain the torch in optimum operating position regardless of variations in the weld seam...providing improved quality and efficiency in a wide variety of welding operations.

# GULLCO

**WORLD LEADERS IN THE DESIGN,  
MANUFACTURE & DISTRIBUTION OF AUTOMATED  
WELDING SYSTEMS AND ACCESSORIES  
CUT COSTS, IMPROVE QUALITY, AND INCREASE EFFICIENCY WITH THESE PROVEN  
GULLCO PRODUCTS**



## KAT® SYSTEMS

- Oscillators
- Torch indexers
- Flex & Rigid KAT® Programmable Travel Carriages
- Seam Trackers
- Bridge Units
- Circle Cutting System

## MOGGY®

- Trackless Fillet & Butt Welding, Stitch Welding control
- Radial Oscillation Control
- 6" V-groove Track Available

## WELD PREP

- Bevellers
- Positioners
- Grippers
- Kamel Pipe
- Turning Rolls

## OVENS

- Flux Rebake
- Flux Holding
- Flux Hoppers
- Electrode Stabilizing

## CERAMIC BACKING

- KATBAK® Ceramic Weld Backing
- Impart Uniform X-Ray Quality Back Beads
- Eliminate Costly Grinding & Re-welds
- Knuckle Joints for Use On Flat or Curved Surfaces

CONTACT GULLCO OR YOUR GULLCO DISTRIBUTOR TODAY FOR INFORMATION ON ANY OF THESE PRODUCTS

KAT, KBM, MOGGY, KATBAK & SAM are registered trademarks of Gullco Enterprises Limited

SPECIFICATIONS ARE SUBJECT TO CHANGE WITHOUT NOTICE

Distributed by:

**GULLCO**

### GULLCO INTERNATIONAL LIMITED - CANADA

Phone: 905-953-4140 Fax: 905-953-4138 e-mail: sales@gullco.com

### GULLCO INTERNATIONAL INC. - U.S.A

Phone: 440-439-8333 Fax: 440-439-3634 e-mail: ussales@gullco.com

### GULLCO INTERNATIONAL (U.K.) LIMITED- EUROPE

Phone: +44 1257-253579 Fax: +44 1257-254629 e-mail: sales@gullco.co.uk

### GULLCO INTERNATIONAL PTY LIMITED - AUSTRALIA

Phone: 61 (0)7 3348 5515 Fax: 61 (0)7 3348 5510 e-mail: ausales@gullco.com

### GULLCO INTERNATIONAL INDIA PVT LIMITED - INDIA

Phone: 91-20-65260382 Fax: 91-20-26836656 e-mail: india.io@gullco.com

### GULLCO INTERNATIONAL SHANGHAI LIMITED- CHINA

Phone: +8621-50460341 Fax: +8621-50463554 e-mail: gsuntech@sh163.net

### GULLCO INTERNATIONAL LIMITED- LATIN AMERICA

Phone: 55-11-9485-1336 e-mail: rogerio.macedo@gullco.com

### STUCH GMBH & CO. KG SCHWEISSTECHNIK - GERMANY

Phone: (02 03) 72 94 95 Fax: (02 03) 72 94 96 e-mail: info@stuch-schweisstechnik.de

WWW.GULLCO.COM

KA-11-01