

**PARTS BREAK DOWN FOR A RIGID “KAT”® LOWER HOUSING ASSEMBLY**

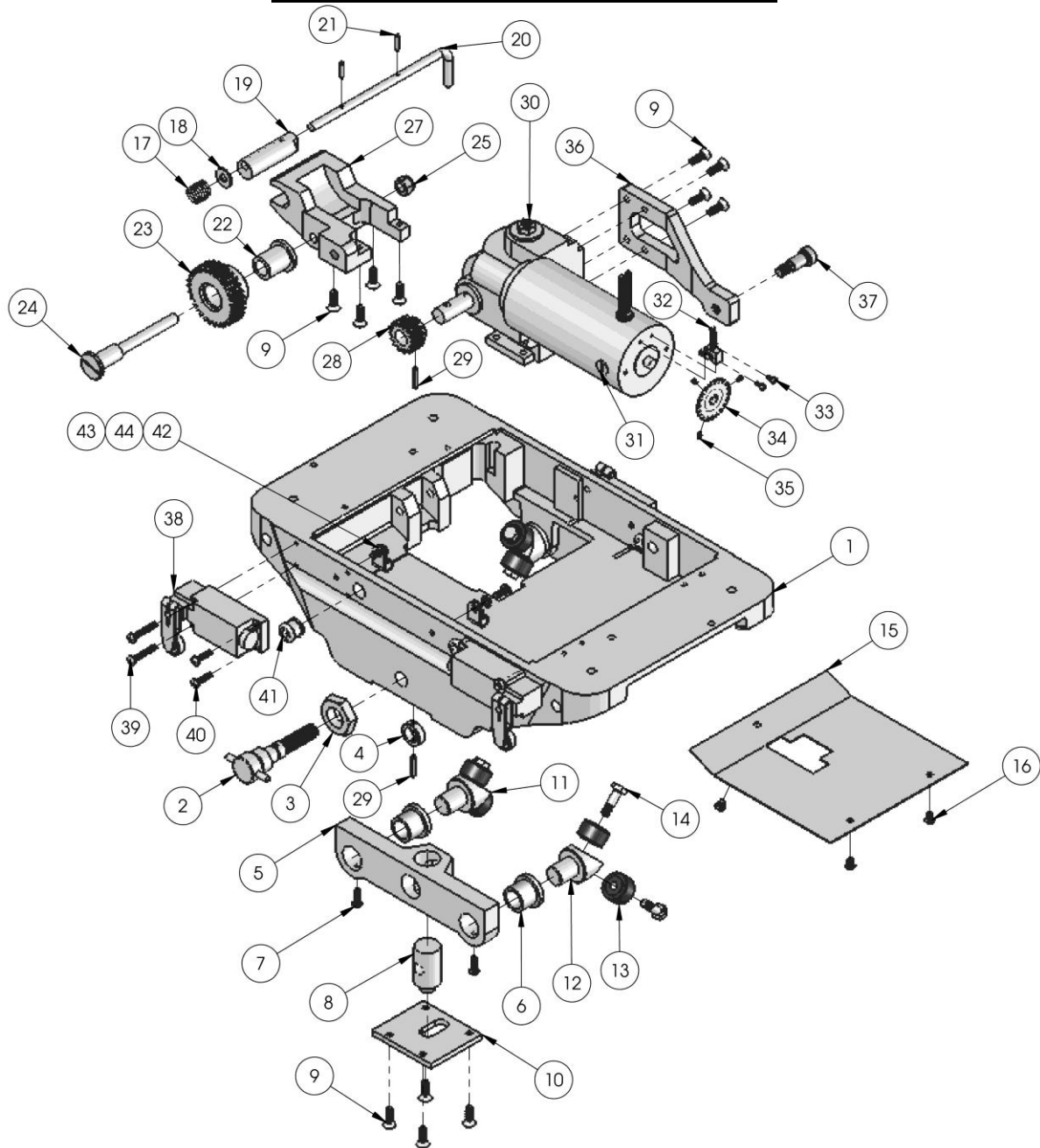
**DRAWING NUMBER: GK-191-P-200-2C**

ITEM	PART NUMBER	DESCRIPTION	QTY
1	GK-171-005	KAT LOWER HOUSING	1
2	GK-171-012	WHEEL ADJUSTMENT SCREW	1
3	GK-110-062	3/4-16UNC HEX HEAD JAM NUT	1
4	GK-171-102	WHEEL ADJUSTMENT COLLAR	1
	GK-171003	ADJUSTABLE WHEEL HOUSING ASSEMBLY ( ITEM 5 & 2 x ITEM 6)	1
5	GK-171-007	ADJUSTABLE WHEEL HOUSING	1
6	GK-165-009	WHEEL SHAFT BEARING	4
7	GK-112-050	#8-32UNC x 1/2 ROUND HEAD SCREW	4
8	GK-171-008	WHEEL HOUSING PIVOT PIN	1
9	GK-105-050	#10-32UNF x 5/8 NYLOC FLAT HEAD SOCKET CAP SCREW	12
10	GK-171-482	RETAINING PLATE	1
11	GK-165-154	HEAVY DUTY WHEEL ASSEMBLY	4
12	GK-166-289	HEAVY DUTY WHEEL SHAFT	4
13	GK-165-153	HEAVY DUTY WHEEL	8
14	GK-165-152	BEARING BOLT	8
15	GK-190-067	DUST COVER (OPTIONAL)	1
16	GK-112-089	#8-32UNC x1/4 ROUND HEAD SCREW (OPTIONAL)	3
17	GK-116-003	CAM SHAFT SPRING	1
18	GK-111-051	WASHER 1/4 BOLT X 5/8 OD X 0.057	1
19	GK-165-015	CAM	1
20	GK-171-013	CAM SHAFT LEVER	1
21	GK-117-004	3/32 x 9/16 SPRING PIN	2
	GK-191-P-028	POWER UNIT ASSEMBLY (8 PCS ITEM 9 & ITEMS 22 TO 25 & 27 TO 37)	1
	GK-165-034	DRIVE GEAR ASSEMBLY (ITEM 22 TO 25 )	1
22	GK-165-010	IDLER GEAR BEARING	1
23	GK-165-013	IDLER GEAR	1
24	GK-166-167	SHOULDER SCREW	1
25	GK-135-050	5/16-18 UNC NYLON INSERT LOCKNUT	1
26	GL-190-019	PUSH TO TURN - NAME PLATE (NOT SHOWN)	1
27	GK-165-008	CARRIAGE CAM FORK	1
28	GK-165-012	MOTOR DRIVE PINION	1
29	GK-117-008	1/8 x 3/4 SPRING PIN	2
30	GK-191-P-131	GEARHEAD & ASSEMBLY, 2.7-88.4IPM [5.7-224cm/min] ( C/W ITEM 30 )	1
	GK-191-P-133	GEARHEAD & ASSEMBLY, 1-32.7IPM [2.5-83.1cm/min] ( C/W ITEM 30 )	
	GK-191-P-271	GEARHEAD & ASSEMBLY, 0.5-16.4IPM [1.2-41.6cm/min] ( C/W ITEM 30 )	
31	GK-171-068-4	MOTOR BRUSHES ( INCLUDED WITH ITEM 30)	2
32	GK-191-P-035	ENCODER SENSOR, INCLUDING WIRING & CONNECTOR	1
33	GK-112-060	#4-40UNC x 1/4 ROUND HEAD SCREW	2
34	GK-191-P-038	ENCODER DISC	1
35	GK-106-063	#4-40UNC x 3/16 SET SCREW	3
36	GK-171-011	MOTOR MOUNTING PLATE	1
37	GK-104-051	3/8 x 5/8 SHOULDER BOLT	1

SPECIFY “KAT”® MODEL NUMBER AND SERIAL NUMBER WHEN ORDERING PARTS.

## PARTS BREAK DOWN FOR A RIGID "KAT"<sup>®</sup> LOWER HOUSING ASSEMBLY

DRAWING NUMBER: GK-191-P-200-2C



ITEM	PART NUMBER	DESCRIPTION	QTY
38	GK-191-P-059	LIMIT SWITCH	3
39	GK-112-063	#8-32UNC x 1 ROUND HEAD SCREW	6
40	GK-112-052	#8-32UNC x 5/8 ROUND HEAD SCREW	6
41	GK-151-003	RUBBER GROMMET	3
42	GK-156-041	CABLE CLAMP	2
43	GK-111-068	WASHER #10 BOLT x 3/8 OD x 0.050	2
44	GK-112-094	#10-32UNF x 7/16 ROUND HEAD SCREW	2
45	GSP-2014	WIRING HARNESS (FWD/CENTRE/REV) NOT SHOWN ON DRAWING	1

## PARTS BREAKDOWN FOR A FLEX "KAT"® LOWER HOUSING ASSEMBLY

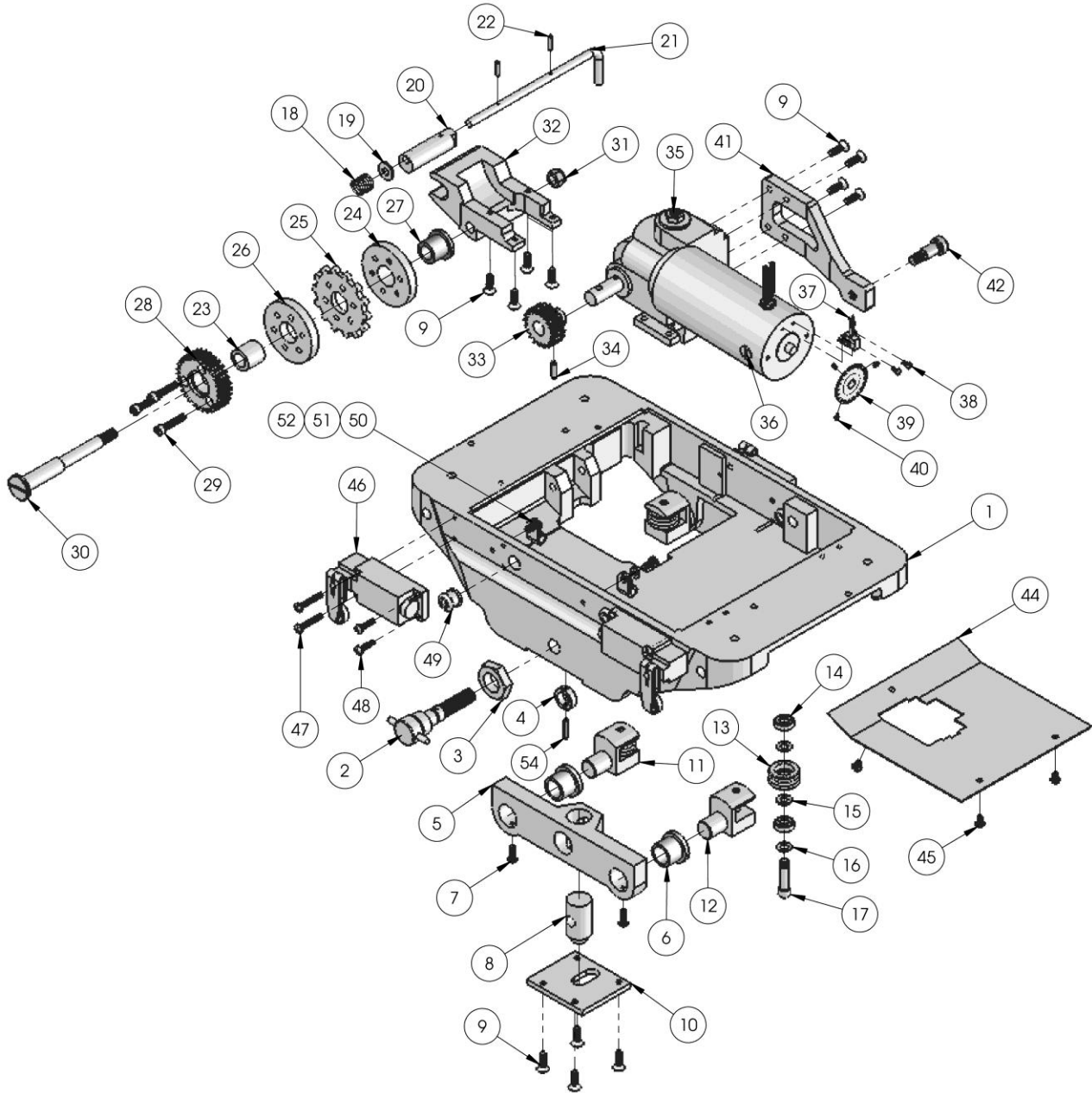
DRAWING NUMBER: GK-192-F-020-2C

ITEM	PART NUMBER	DESCRIPTION	QTY
1	GK-171-005	KAT LOWER HOUSING	1
2	GK-171-012	WHEEL ADJUSTMENT SCREW	1
3	GK-110-062	3/4-16UNC HEX HEAD JAM NUT	1
4	GK-171-102	WHEEL ADJUSTMENT COLLAR	1
5	GK-171-007	ADJUSTABLE WHEEL HOUSING	1
6	GK-165-009	WHEEL SHAFT BEARING	4
7	GK-112-050	#8-32UNC x 1/2 ROUND HEAD SCREW	4
8	GK-171-008	WHEEL HOUSING PIVOT PIN	1
9	GK-105-050	#10-32UNF x 5/8 NYLOC FLAT HEAD SOCKET CAP SCREW	12
10	GK-171-482	RETAINING PLATE	1
11	GK-192-F-065	FLEX WHEEL ASSEMBLY (ITEMS 12 TO 17)	1
12	GK-192-F-006	FLEX WHEEL YOKE	4
13	GK-192-F-007	FLEX WHEEL	4
14	GK-192-F-005	FLEX WHEEL BEARING	8
15	GK-192-F-009	BEARING SPACER	4
16	GK-111-066	WASHER 1/4 BOLT x 1/2 OD x 0.033	8
17	GK-192-F-035	FLEX WHEEL BOLT	4
18	GK-116-003	CAM SHAFT SPRING	1
19	GK-111-051	WASHER 1/4 BOLT X 5/8 OD X 0.057	1
20	GK-165-015	CAM	1
21	GK-171-013	CAM SHAFT LEVER	1
22	GK-117-004	3/32 x 9/16 SPRING PIN	2
	GK-192-F-028	POWER UNIT ASSEMBLY (8 PCS ITEM 9 & ITEM 23 TO 42)	1
	GK-192-F-008-1	FLEX CAM FORK ASSEMBLY (ITEMS 23 TO 32)	1
	GK-192-F-013	FLEX SPROCKET DRIVE GEAR ASSEMBLY (ITEMS 23 TO 29)	1
23	GK-118-060	IDLER GEAR BEARING	1
24	GK-192-F-004	DRIVE HUB (WITH BOSS )	1
25	GK-192-F-017	DRIVE SPROCKET	1
26	GK-192-F-003	DRIVE HUB (FLAT)	1
27	GK-118-052	BRONZE BUSHING	1
28	GK-192-F-015	TRANSFER GEAR	1
29	GK-107-080	#10-32UNF x 1 SOCKET HEAD CAP SCREW	3
30	GK-192-F-167	SHOULDER SCREW	1
31	GK-135-050	5/16-18 UNC NYLON INSERT LOCKNUT	1
32	GK-192-F-008	CAM FORK	1
33	GK-192-F-012	FLEX MOTOR DRIVE PINION	1
34	GK-117-031	1/8 x 5/8 SPRING PIN	1
35	GK-192-F-271	GEARHEAD & MOTOR ASSEMBLY, 0.8-25.8 imp [2-65.4 cm/min.] (C/W ITEM 36)	1
	GK-192-F-133	GEARHEAD & MOTOR ASSEMBLY, 1.5-51.5 imp [3.9-131 cm/min.] (C/W ITEM 36)	
	GK-192-F-013	GEARHEAD & MOTOR ASSEMBLY, 4.2-139 imp [10.6-353 cm/min.] (C/W ITEM 36)	
36	GK-171-068-4	MOTOR BRUSHES (INCLUDED WITH ITEM 35)	2
37	GK-191-P-035	ENCODER SENSOR, INCLUDING WIRING & CONNECTOR	1
38	GK-112-060	#4-40UNC x 1/4 ROUND HEAD SCREW	2
39	GK-191-P-038	ENCODER DISC	1
40	GK-106-063	#4-40UNC x 3/16 SET SCREW	3
41	GK-171-011	MOTOR MOUNTING PLATE	1
42	GK-104-051	3/8 x 5/8 SHOULDER BOLT	1
43	GL-190-019	PUSH TO TURN - NAMEPLATE (NOT SHOWN ON DRAWING)	1
44	GK-190-068	DUST COVER (OPTIONAL)	1
45	GK-112-089	#8-32UNC x1/4 ROUND HEAD SCREW (OPTIONAL)	3

SPECIFY "KAT"® MODEL NUMBER AND SERIAL NUMBER WHEN ORDERING PARTS.

## PARTS BREAKDOWN FOR A FLEX “KAT”® LOWER HOUSING ASSEMBLY

DRAWING NUMBER: GK-192-F-020-2C



ITEM	PART NUMBER	DESCRIPTION	QTY
46	GK-191-P-059	LIMIT SWITCH	3
47	GK-112-063	#8-32UNC x 1 ROUND HEAD SCREW	6
48	GK-112-052	#8-32UNC x 5/8 ROUND HEAD SCREW	6
49	GK-151-003	RUBBER GROMMET	3
50	GK-156-041	CABLE CLAMP	2
51	GK-111-068	WASHER #10 BOLT x 3/8 OD x 0.050	2
52	GK-112-094	#10-32UNF x 7/16 ROUND HEAD SCREW	2
53	GSP-2014	WIRING HARNESS (FWD/CENTRE/REV) NOT SHOWN ON DRAWING	1
54	GK-117-008	1/8 x 3/4 SPRING PIN	1

**PARTS BREAK DOWN FOR AN AUTOWELD "KAT"® UPPER HOUSING ASSEMBLY**

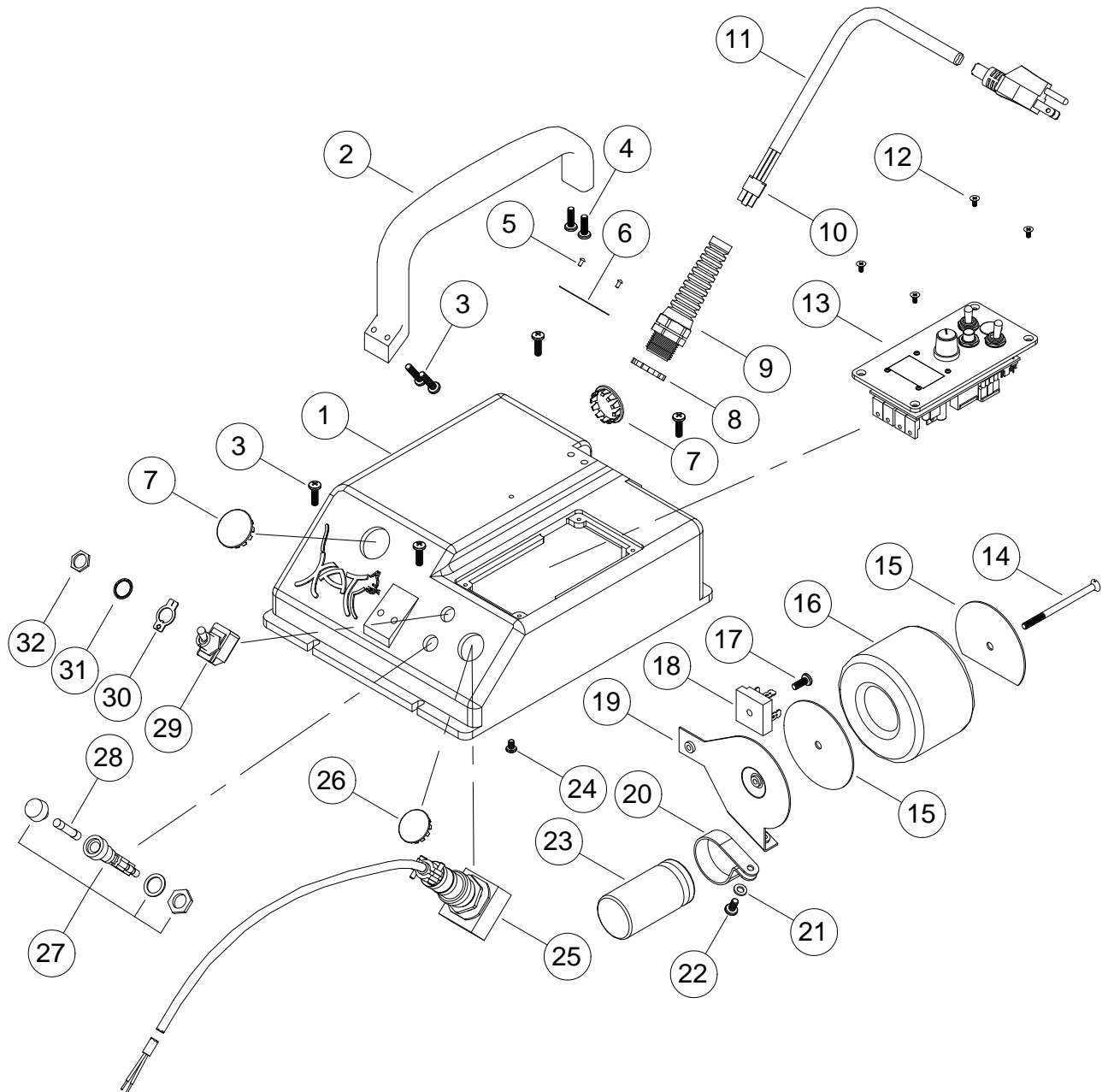
*(BASED ON DRAWING NUMBER: GK-191-P-330)*

ITEM	PART NUMBER	DESCRIPTION	QTY
1	GK-191-P-006	"KAT" CONTROL HOUSING	1
2	GK-171-029	HANDLE	1
3	GK-112-069	ROUND HEAD SCREWS, 10-32 x 5/8"	6
4	GK-112-068	ROUND HEAD SCREWS, 10-32 x 7/8"	2
5	GK-120-052	DRIVE SCREW, #2 x 3/16"	2
6	GL-190-002	SERIAL NUMBER NAMEPLATE	1
7	GK-155-004	HOLE PLUG, 1"Ø	2
8	GK-148-017	LOCK NUT	1
9	GK-148-015	STRAIN RELIEF	1
10	GK-156-047	CONNECTOR	1
11	GK-171-032	POWER CORD (SPECIFY VOLTAGE) (NOT ALWAYS SUPPLIED WITH PLUG)	1
12	GK-141-014	FLAT HEAD SCREW, 6-32 x 5/16"	4
13	GSP-2000-4	GSP MOTOR CONTROL ASSEMBLY (Extended Button, Recessed Selector) (Optional)	1
	GSP-2001-4	GSP MOTOR CONTROL ASSEMBLY (Recessed Button, Recessed Selector) (Optional)	
	GSP-2010-4	GSP MOTOR CONTROL ASSEMBLY (Extended Button, Extended Selector) (Standard)	
	GK-191-P-039	ELECTRICAL ASSEMBLY (ITEMS 14-23 & ITEMS 33-35 )	1
14	GK-141-019	FLAT HEAD SCREW, 10-32 x 3"	1
15	GK-191-P-218	TRANSFORMER MOUNTING RUBBERS	1 PR
16	GK-191-P-019-A	TRANSFORMER, 42 V INPUT	1
	GK-191-P-019-B	TRANSFORMER, 115 V INPUT	
	GK-191-P-019-C	TRANSFORMER, 230 V INPUT	
17	GK-112-054	ROUND HEAD SCREW, 10-32 x 1/2"	1
18	GK-191-P-020	BRIDGE RECTIFIER	1
19	GK-191-P-021	TRANSFORMER MOUNTING BRACKET	1
20	GK-191-P-063	CAPACITOR CLIP	1
21	GK-111-068	FLAT WASHER, #10	1
22	GK-112-065	ROUND HEAD SCREW, 10-32 x 3/8"	1
23	GK-191-P-062	CAPACITOR	1
24	GK-112-089	ROUND HEAD SCREW, 8-32 x 1/4"	1
25	GK-191-P-071	ARC SIGNAL RELAY KIT	1
26	GK-155-002	HOLE PLUG, 7/8"Ø	0
27	GK-165-134	FUSE HOLDER ASSEMBLY	1
28	GK-165-098	SLOW BLOW FUSE, 42 V INPUT USE 5 AMP	1
	GK-165-099	SLOW BLOW FUSE, 115 V INPUT USE 2.5 AMP	
	GK-165-097	SLOW BLOW FUSE, 230 V INPUT USE 1.25 AMP	
29	GK-191-P-022	POWER ON/OFF SWITCH	1
30	GK-191-P-050	ON/OFF NAMEPLATE	1
31	GK-129-014	LOCK WASHER	1
32	GK-191-P-056	SWITCH NUT	1
33	GK-191-P-103	DISCHARGE RESISTOR & CAP. WIRING HARNESS (Not shown on drawing)	1
34	GK-191-P-127	HIGH FREQUENCY CAPACITOR HARNESS (Not shown on drawing)	1
35	GK-191-P-140	CAPACITOR TO "KAT" CONTROL HARNESS (Not shown on drawing)	1
36	GK-191-P-128	LINE CORD CONNECTION HARNESS (Not shown on drawing)	1

SPECIFY "KAT"® MODEL NUMBER AND SERIAL NUMBER WHEN ORDERING PARTS.

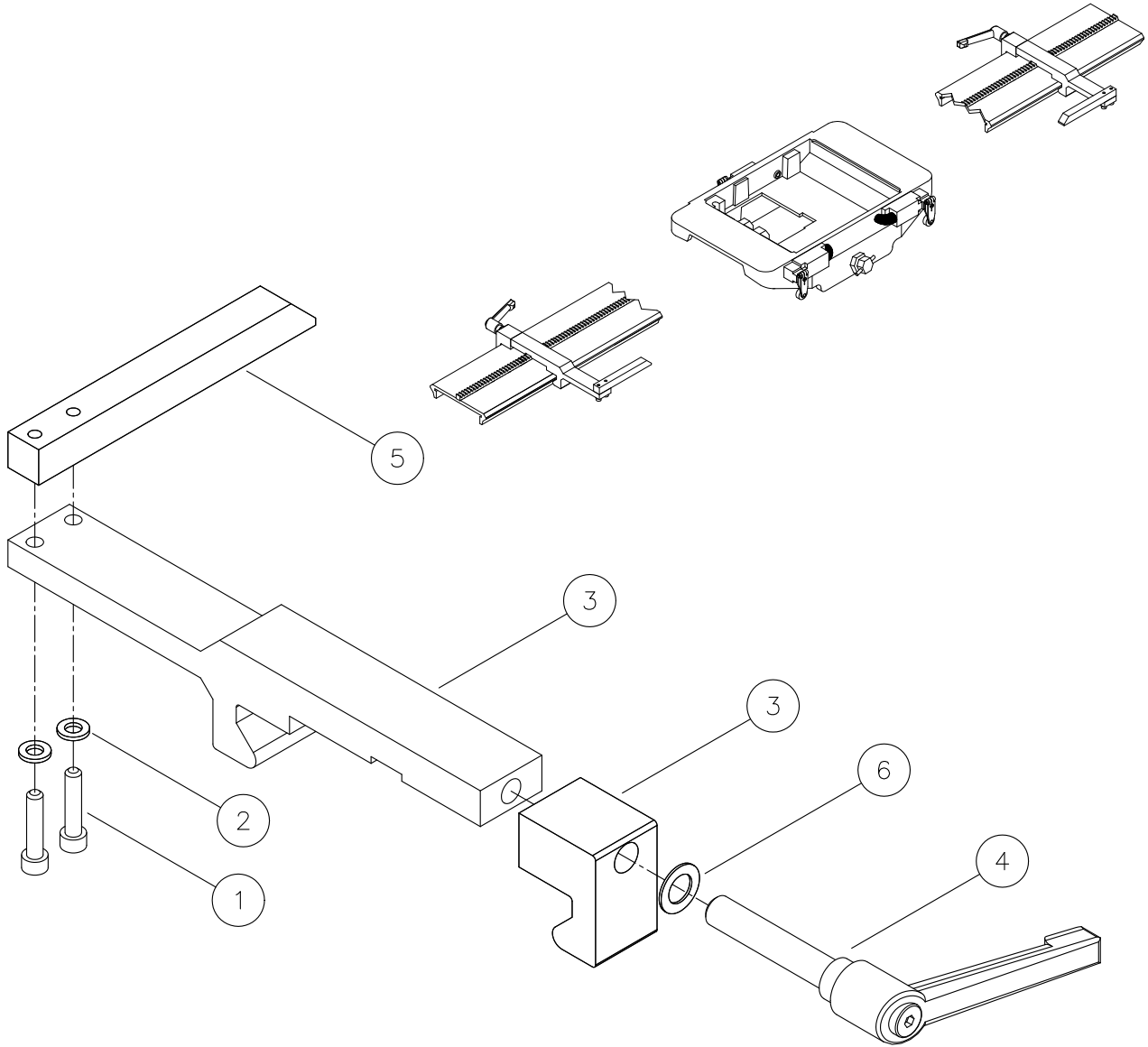
**PARTS BREAK DOWN FOR AN AUTOWELD "KAT"® UPPER HOUSING ASSEMBLY**

*(BASED ON DRAWING NUMBER: GK-191-P-330)*



## PARTS BREAKDOWN FOR ADJUSTABLE RIGID TRACK LIMIT SWITCH ACTUATORS

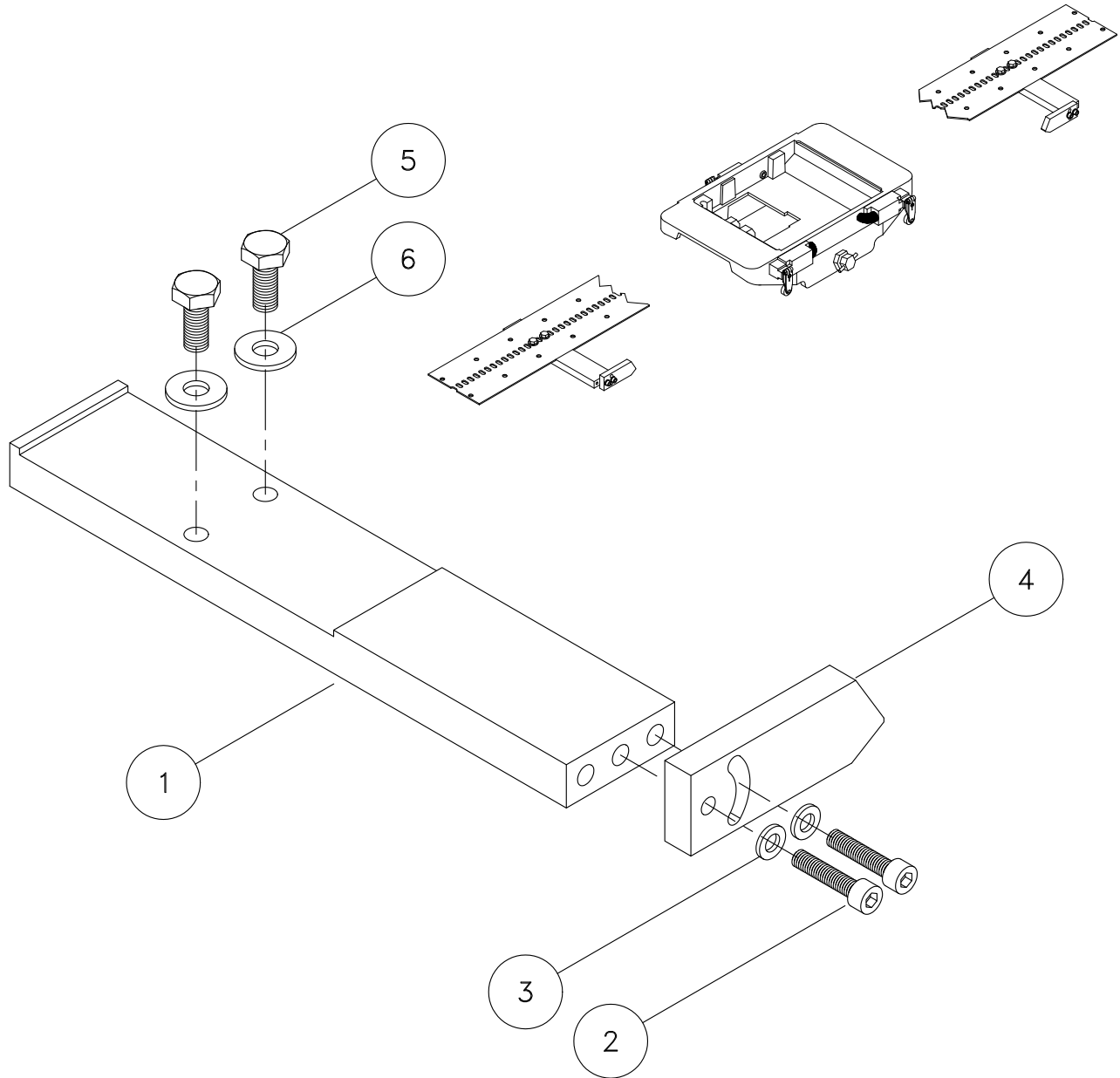
ASSEMBLY: GK-191-P-061



ITEM	PART NUMBER	DESCRIPTION	QTY
1	GK-107-079	10-32 x 7/8" SOCKET HEAD CAP SCREW	2
2	GK-111-068	#10 FLAT WASHER	2
3	GK-191-P-061-B	TRACK CLAMPS	1 SET
4	GK-153-014	3/8"-16 x 2.48" ADJUSTABLE HAND LEVER	1
5	GK-191-P-061-6	ACTUATOR BAR	1
6	GK-111-080	3/8" BOLT SIZE x 5/8" O.D. FLAT WASHER	1

# PARTS BREAKDOWN FOR ADJUSTABLE FLEX TRACK LIMIT SWITCH ACTUATORS

ASSEMBLY: GK-191-P-060



ITEM	PART NUMBER	DESCRIPTION	QTY
1	GK-190-102	FIXED LIMIT STOP BLOCK	1
2	GK-107-079	10-32 x 7/8" SOCKET HEAD CAP SCREW	2
3	GK-111-068	#10 FLAT WASHER	2
4	GK-190-103	ADJUSTABLE END STOP BLOCK	1
5	GK-108-050	1/4"-20 x 5/8" HEX HEAD BOLT	2
6	GK-111-051	1/4" FLAT WASHER	2